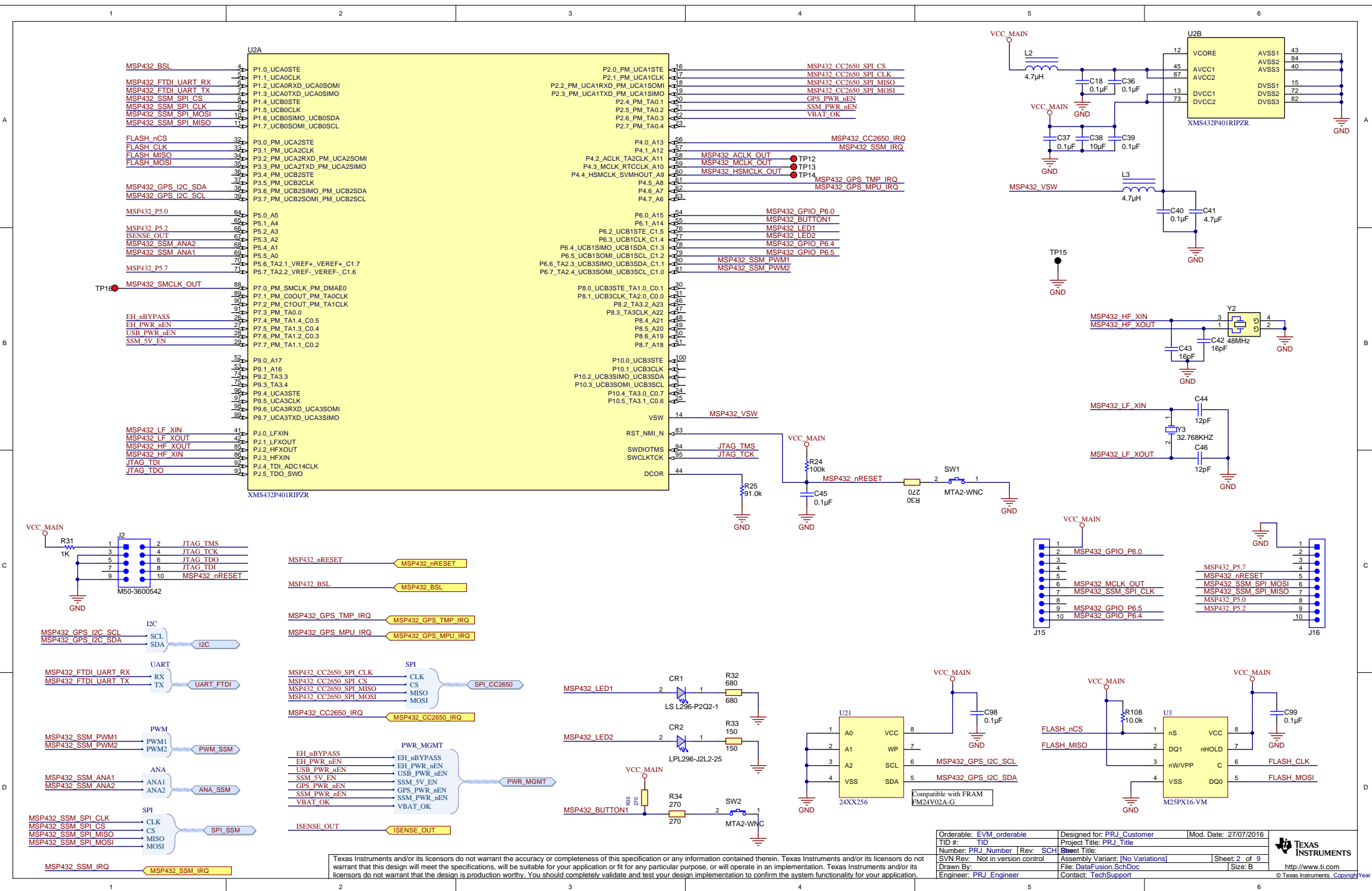


Texas Instruments and/or its licensors do not warrant the accuracy or completeness of this specification or any information contained therein. Texas Instruments and/or its licensors do not warrant that this design will meet the specifications, will be suitable for your application or fit for any particular purpose, or will operate in an implementation. Texas Instruments and/or its licensors do not warrant that the design is production worthy. You should completely validate and test your design implementation to confirm the system functionality for your application.

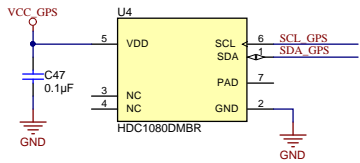
Orderable: EVM orderable	Designed for: PRJ Customer	Mod. Date: 27/07/2016
TID #: TID	Project Title: PRJ Title	
Number: PRJ Number	Rev: SCH	Sheet Title:
SVN Rev: Not in version control	Assembly Variant: [No Variations]	Sheet: 1 of 9
Drawn By:	File: ISMote.SchDoc	Size: B
Engineer: PRJ_Engineer	Contact: TechSupport	



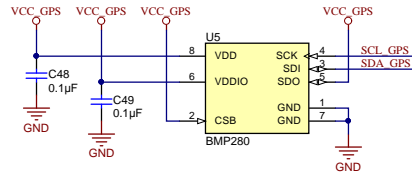
Texas Instruments and/or its licensors do not warrant the accuracy or completeness of this specification or any information contained therein. Texas Instruments and/or its licensors do not warrant that this design will meet the specifications, will be suitable for your application or fit for any particular purpose, or will operate in an implementation. Texas Instruments and/or its licensors do not warrant that the design is production worthy. You should completely validate and test your design implementation to confirm the system functionality for your application.

Orderable: EVM orderable	Designed for: PRJ Customer	Mod. Date: 27/07/2016
TID #: TID	Project Title: PRJ Title	
Number: PRJ Number	Rev: SCH	Sheet Title:
SVN Rev: Not in version control	Assembly Variant: [No Variations]	Sheet: 2 of 9
Drawn By:	File: DataFusion.SchDoc	Size: B
Engineer: PRJ_Engineer	Contact: TechSupport	

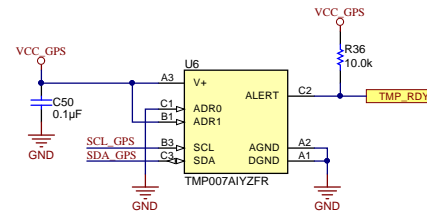
Humidity



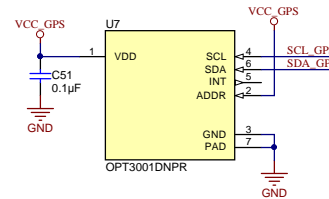
Pressure Sensor



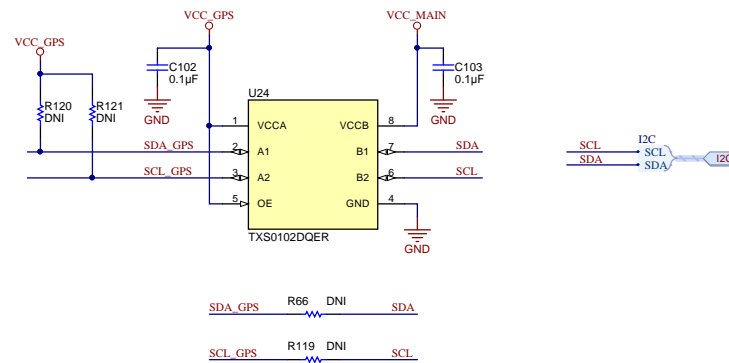
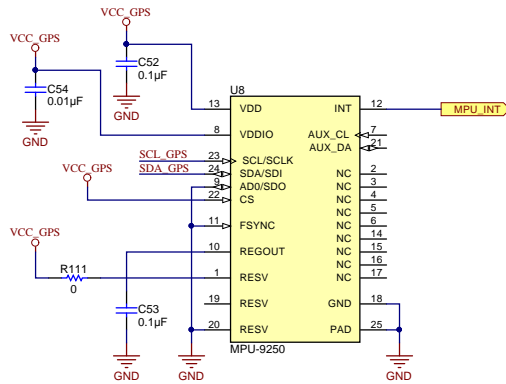
Infrared Thermopile Sensor



Light Sensor



Gyroscope and accelerometer



Texas Instruments and/or its licensors do not warrant the accuracy or completeness of this specification or any information contained therein. Texas Instruments and/or its licensors do not warrant that this design will meet the specifications, will be suitable for your application or fit for any particular purpose, or will operate in an implementation. Texas Instruments and/or its licensors do not warrant that the design is production worthy. You should completely validate and test your design implementation to confirm the system functionality for your application.

Orderable: EVM orderable	Designed for: PRJ_Customer	Mod. Date: 23/07/2016
TID #: TID	Project Title: PRJ Title	
Number: PRJ Number	Rev: SCH	Sheet Title:
SVN Rev: Not in version control	Assembly Variant: [No Variations]	Sheet: 3 of 9
Drawn By:	File: Sensors.SchDoc	Size: B
Engineer: PRJ_Engineer	Contact: TechSupport	

A

B

C

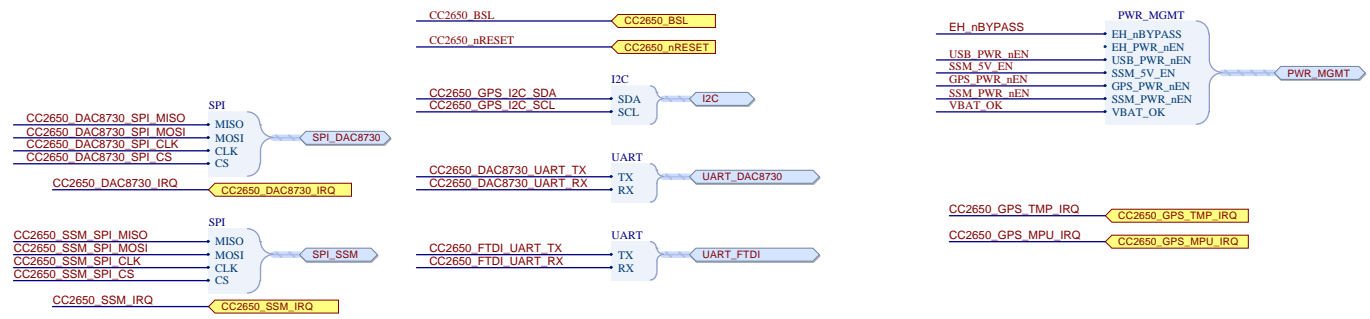
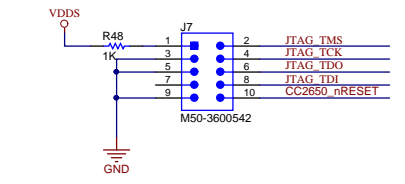
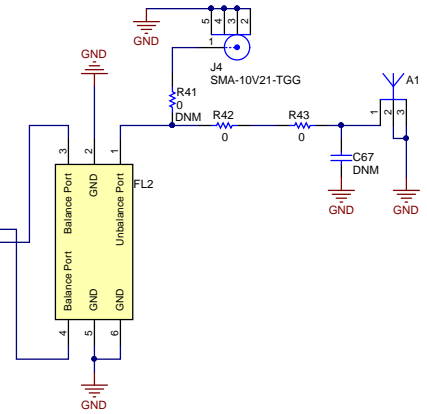
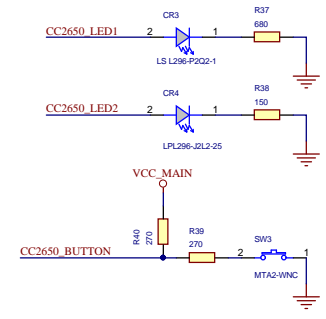
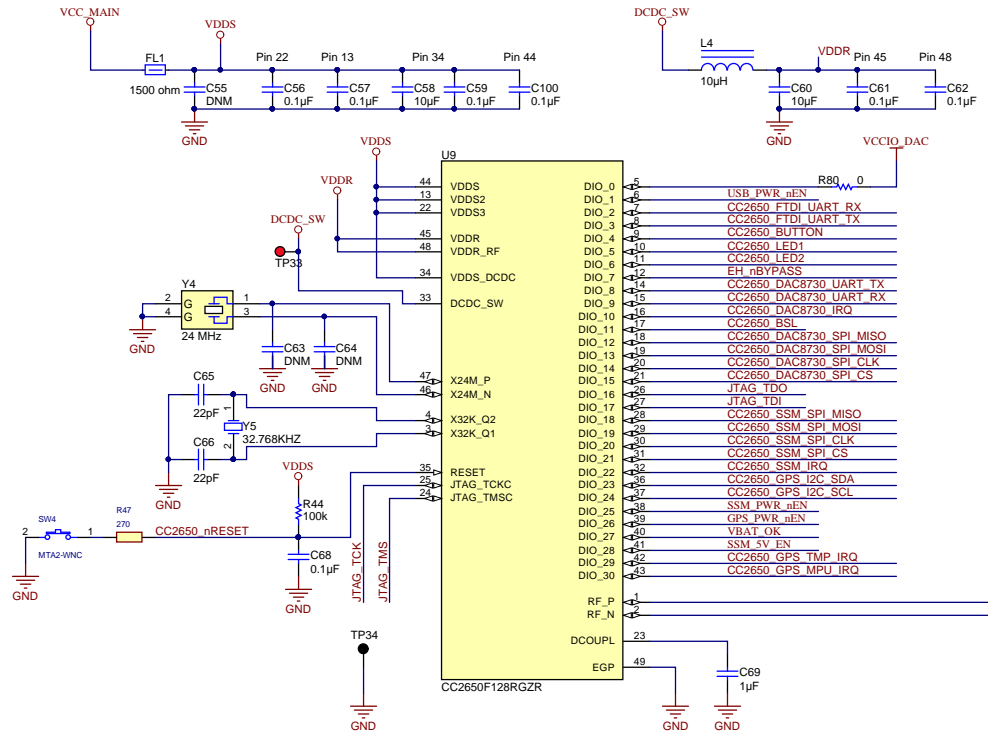
D

A

B

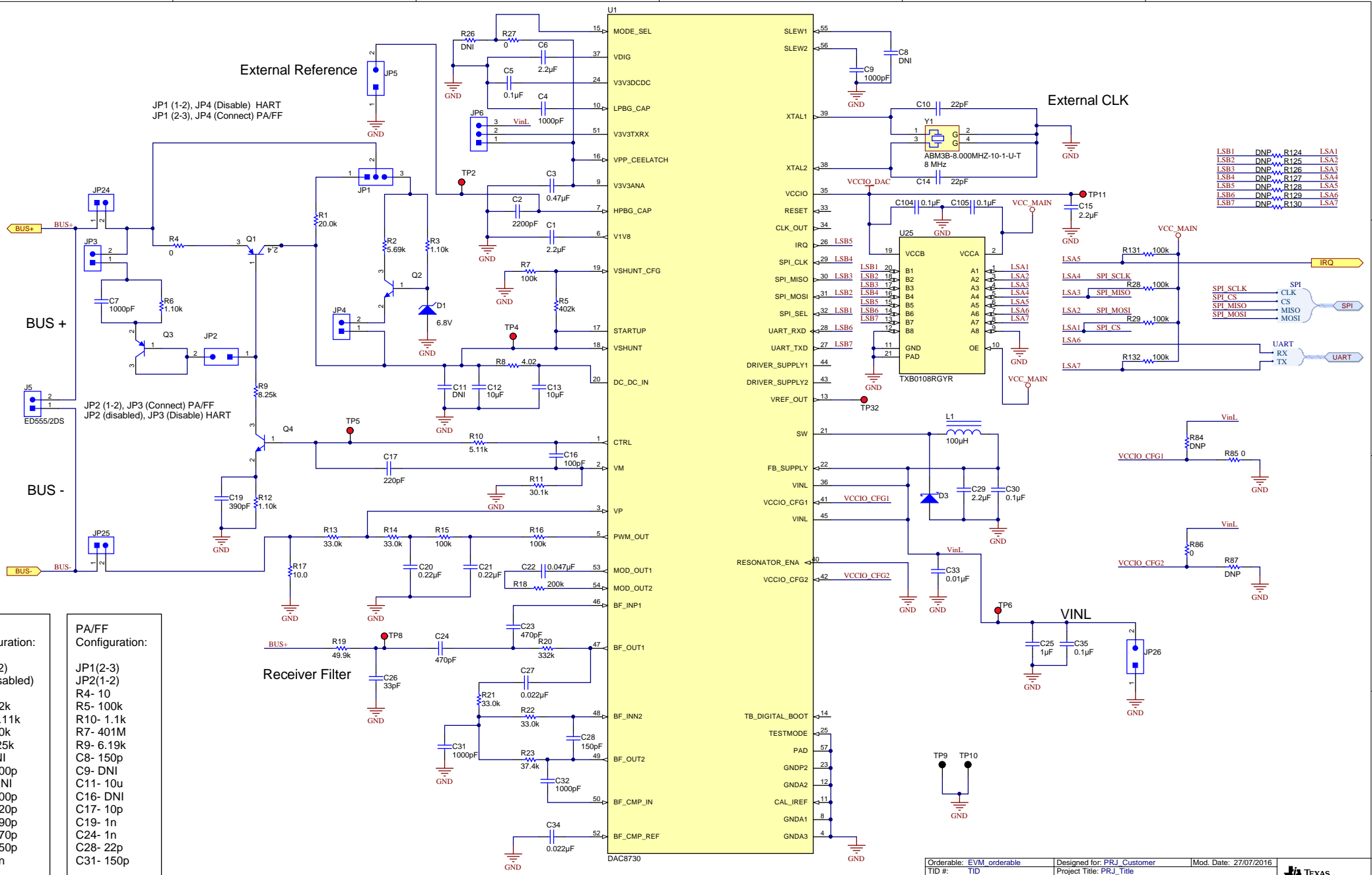
C

D



Texas Instruments and/or its licensors do not warrant the accuracy or completeness of this specification or any information contained therein. Texas Instruments and/or its licensors do not warrant that this design will meet the specifications, will be suitable for your application or fit for any particular purpose, or will operate in an implementation. Texas Instruments and/or its licensors do not warrant that the design is production worthy. You should completely validate and test your design implementation to confirm the system functionality for your application.

Orderable: EVM orderable	Designed for: PRJ Customer	Mod. Date: 27/07/2016
TID #: TID	Project Title: PRJ Title	
Number: PRJ Number	Rev: SCH	Sheet Title:
SVN Rev: Not in version control	Assembly Variant: [No Variations]	Sheet: 4 of 9
Drawn By:	File: WirelessHart_SchDoc	Size: B
Engineer: PRJ_Engineer	Contact: TechSupport	



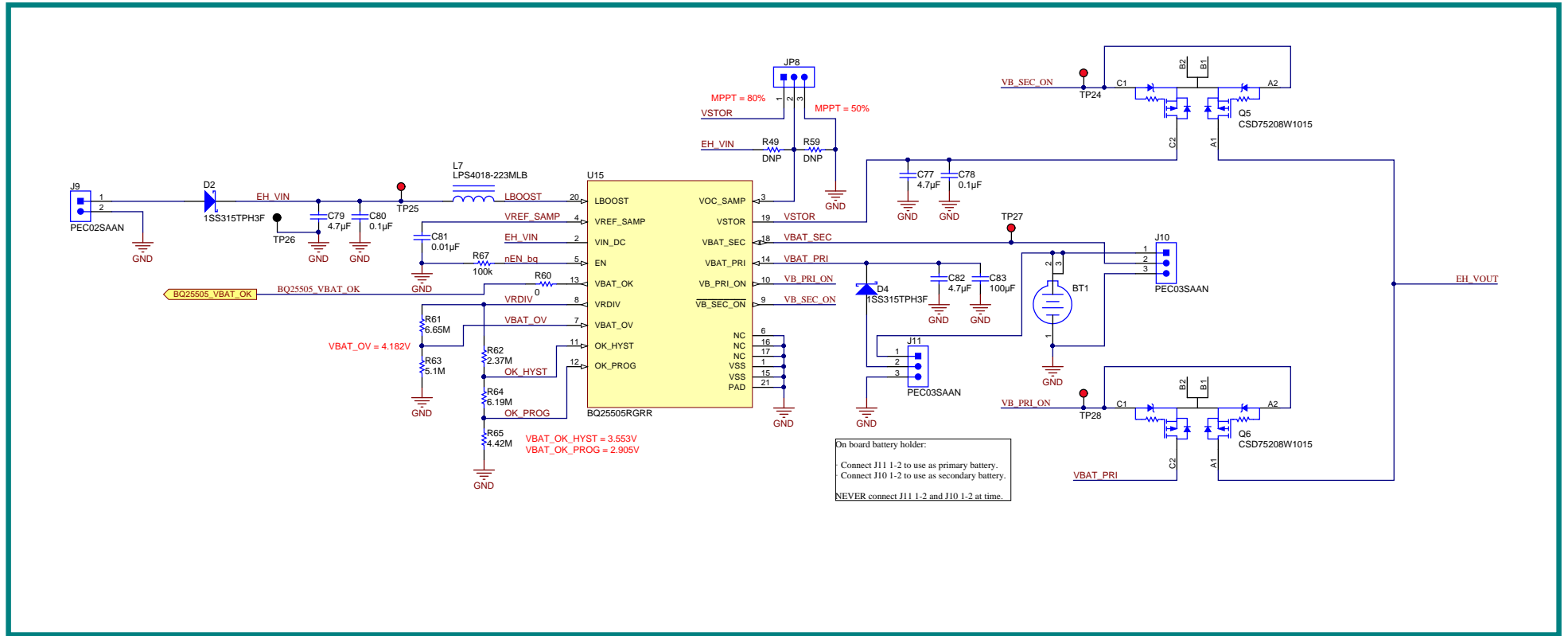
- HART Configuration:**
- JP1(1-2)
 - JP2(disabled)
 - R4- 0
 - R5- 402k
 - R10- 5.11k
 - R7- 100k
 - R9- 8.25k
 - C8- DNI
 - C9- 1000p
 - C11- DNI
 - C16- 100p
 - C17- 220p
 - C19- 390p
 - C24- 470p
 - C28- 150p
 - C31- 1n
- PA/FF Configuration:**
- JP1(2-3)
 - JP2(1-2)
 - R4- 10
 - R5- 100k
 - R10- 1.1k
 - R7- 401M
 - R9- 6.19k
 - C8- 150p
 - C9- DNI
 - C11- 10u
 - C16- DNI
 - C17- 10p
 - C19- 1n
 - C24- 1n
 - C28- 22p
 - C31- 150p

- LSB1 DNP R124 LSA1
- LSB2 DNP R125 LSA2
- LSB3 DNP R126 LSA3
- LSB4 DNP R127 LSA4
- LSB5 DNP R128 LSA5
- LSB6 DNP R129 LSA6
- LSB7 DNP R130 LSA7

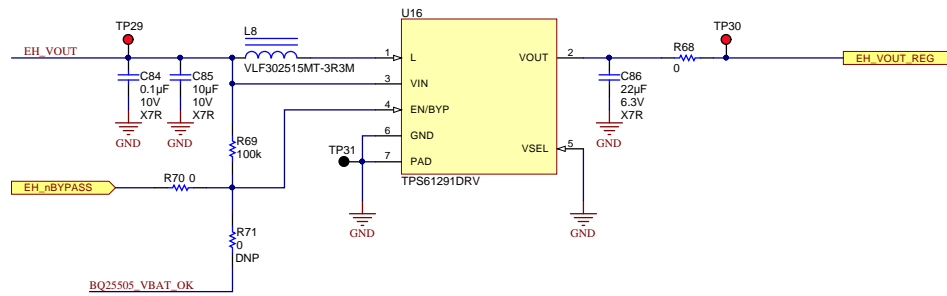
Orderable: EVM orderable	Designed for: PRJ Customer	Mod. Date: 27/07/2016
TID #: TID	Project Title: PRJ Title	
Number: PRJ Number	Rev: SCH	Sheet Title:
SVN Rev: Not in version control	Assembly Variant: [No Variations]	Sheet: 5 of 9
Drawn By:	File: Hart_SchDoc	Size: B
Engineer: PRJ Engineer	Contact: TechSupport	

Texas Instruments and/or its licensors do not warrant the accuracy or completeness of this specification or any information contained therein. Texas Instruments and/or its licensors do not warrant that this design will meet the specifications, will be suitable for your application or fit for any particular purpose, or will operate in an implementation. Texas Instruments and/or its licensors do not warrant that the design is production worthy. You should completely validate and test your design implementation to confirm the system functionality for your application.



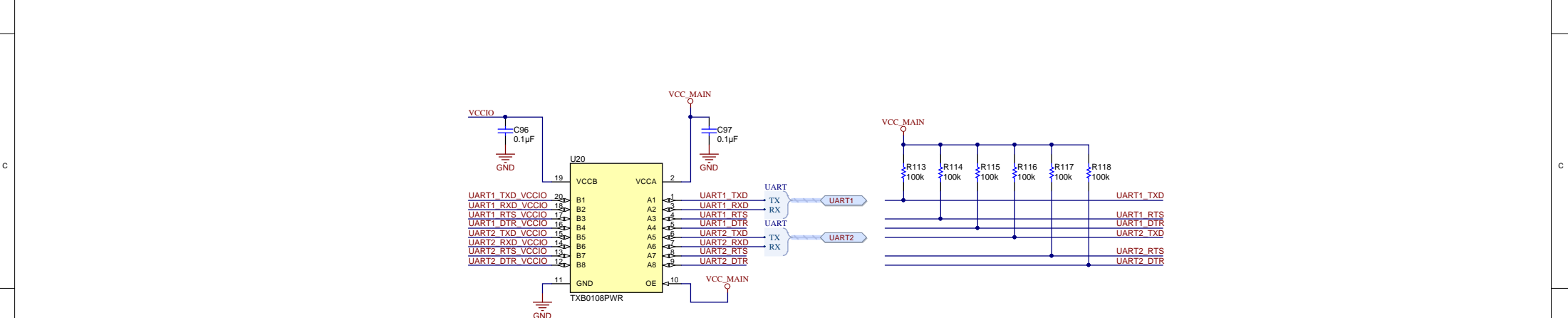
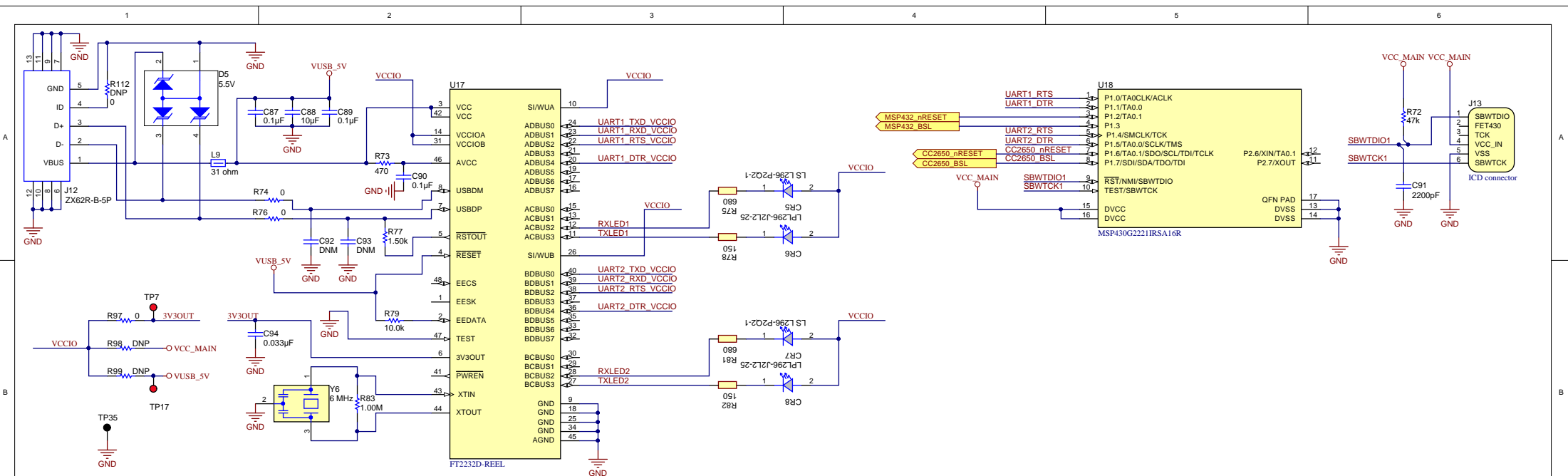


Boost DC-DC to 3.3V / By-pass



Orderable: EVM orderable	Designed for: PRJ_Customer	Mod. Date: 27/07/2016
TID #: TID	Project Title: PRJ Title	
Number: PRJ Number	Rev: SCH	Sheet Title:
SVN Rev: Not in version control	Assembly Variant: [No Variations]	Sheet: 7 of 9
Drawn By:	File: PWR_EH_SchDoc	Size: B
Engineer: PRJ_Engineer	Contact: TechSupport	

Texas Instruments and/or its licensors do not warrant the accuracy or completeness of this specification or any information contained therein. Texas Instruments and/or its licensors do not warrant that this design will meet the specifications, will be suitable for your application or fit for any particular purpose, or will operate in an implementation. Texas Instruments and/or its licensors do not warrant that the design is production worthy. You should completely validate and test your design implementation to confirm the system functionality for your application.

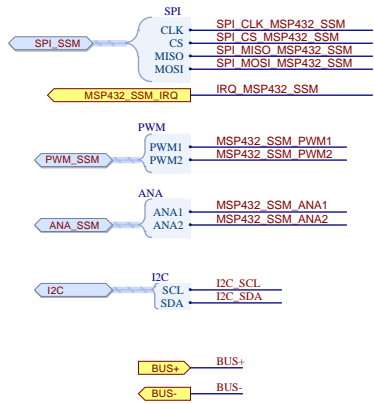
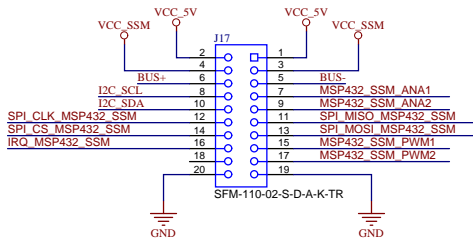


- UART1_TXD_VCCIO DNP R100 UART1_TXD
- UART1_RXD_VCCIO DNP R101 UART1_RXD
- UART1_RTS_VCCIO DNP R102 UART1_RTS
- UART1_DTR_VCCIO DNP R103 UART1_DTR
- UART2_TXD_VCCIO DNP R104 UART2_TXD
- UART2_RXD_VCCIO DNP R105 UART2_RXD
- UART2_RTS_VCCIO DNP R106 UART2_RTS
- UART2_DTR_VCCIO DNP R107 UART2_DTR

Texas Instruments and/or its licensors do not warrant the accuracy or completeness of this specification or any information contained therein. Texas Instruments and/or its licensors do not warrant that this design will meet the specifications, will be suitable for your application or fit for any particular purpose, or will operate in an implementation. Texas Instruments and/or its licensors do not warrant that the design is production worthy. You should completely validate and test your design implementation to confirm the system functionality for your application.

Orderable: EVM orderable	Designed for: PRJ_Customer	Mod. Date: 26/07/2016
TID #: TID	Project Title: PRJ Title	
Number: PRJ Number	Rev: SCH	Sheet Title:
SVN Rev: Not in version control	Assembly Variant: [No Variations]	Sheet: 8 of 9
Drawn By:	File: DEBUG_USB.SchDoc	Size: B
Engineer: PRJ_Engineer	Contact: TechSupport	





Texas Instruments and/or its licensors do not warrant the accuracy or completeness of this specification or any information contained therein. Texas Instruments and/or its licensors do not warrant that this design will meet the specifications, will be suitable for your application or fit for any particular purpose, or will operate in an implementation. Texas Instruments and/or its licensors do not warrant that the design is production worthy. You should completely validate and test your design implementation to confirm the system functionality for your application.

Orderable: EVM orderable	Designed for: PRJ Customer	Mod. Date: 23/07/2016
TID #: TID	Project Title: PRJ Title	
Number: PRJ Number	Rev: SCH	Sheet Title:
SVN Rev: Not in version control	Assembly Variant: [No Variations]	Sheet: 9 of 9
Drawn By:	File: SmartSensorIF_SchDoc	Size: B
Engineer: PRJ_Engineer	Contact: TechSupport	