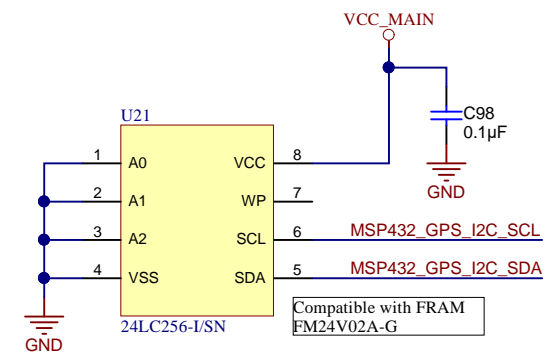
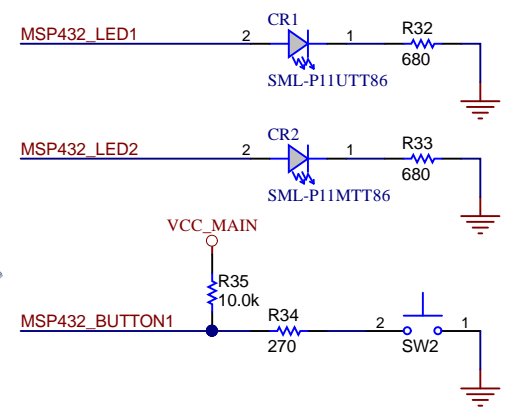
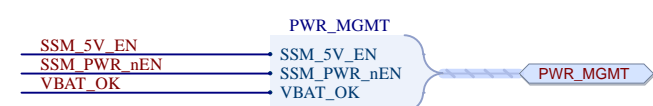
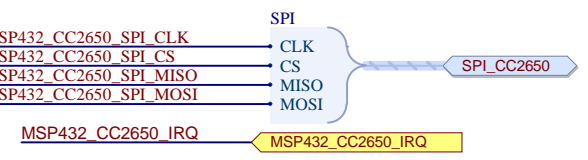
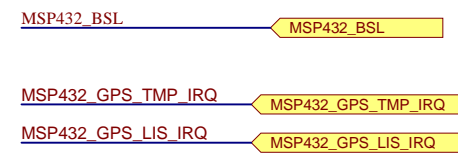
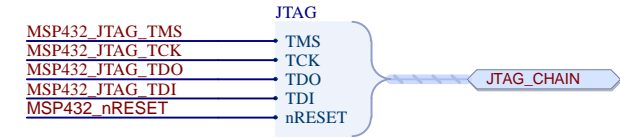
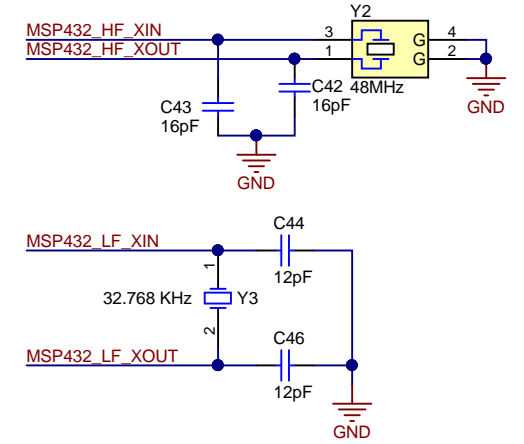
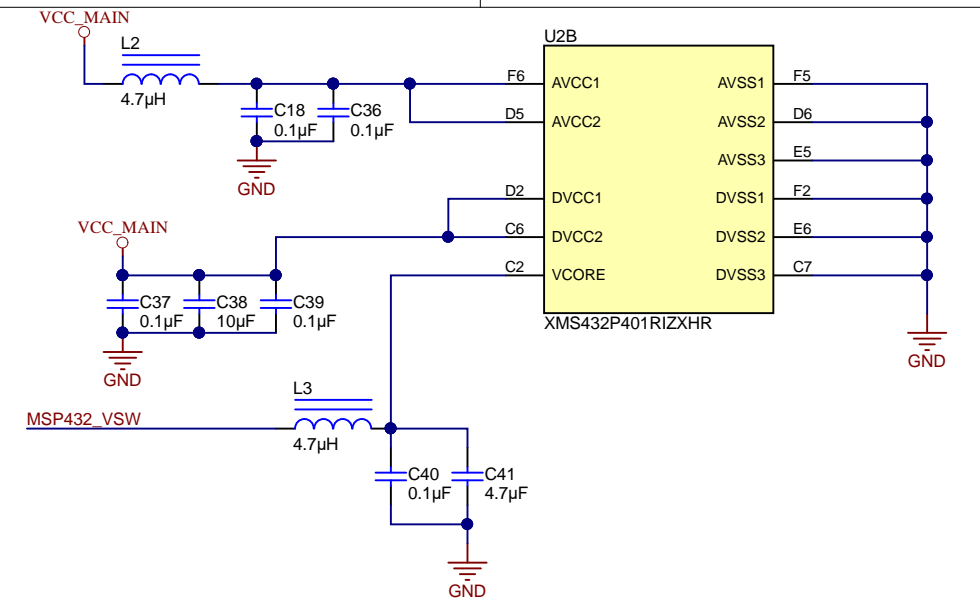
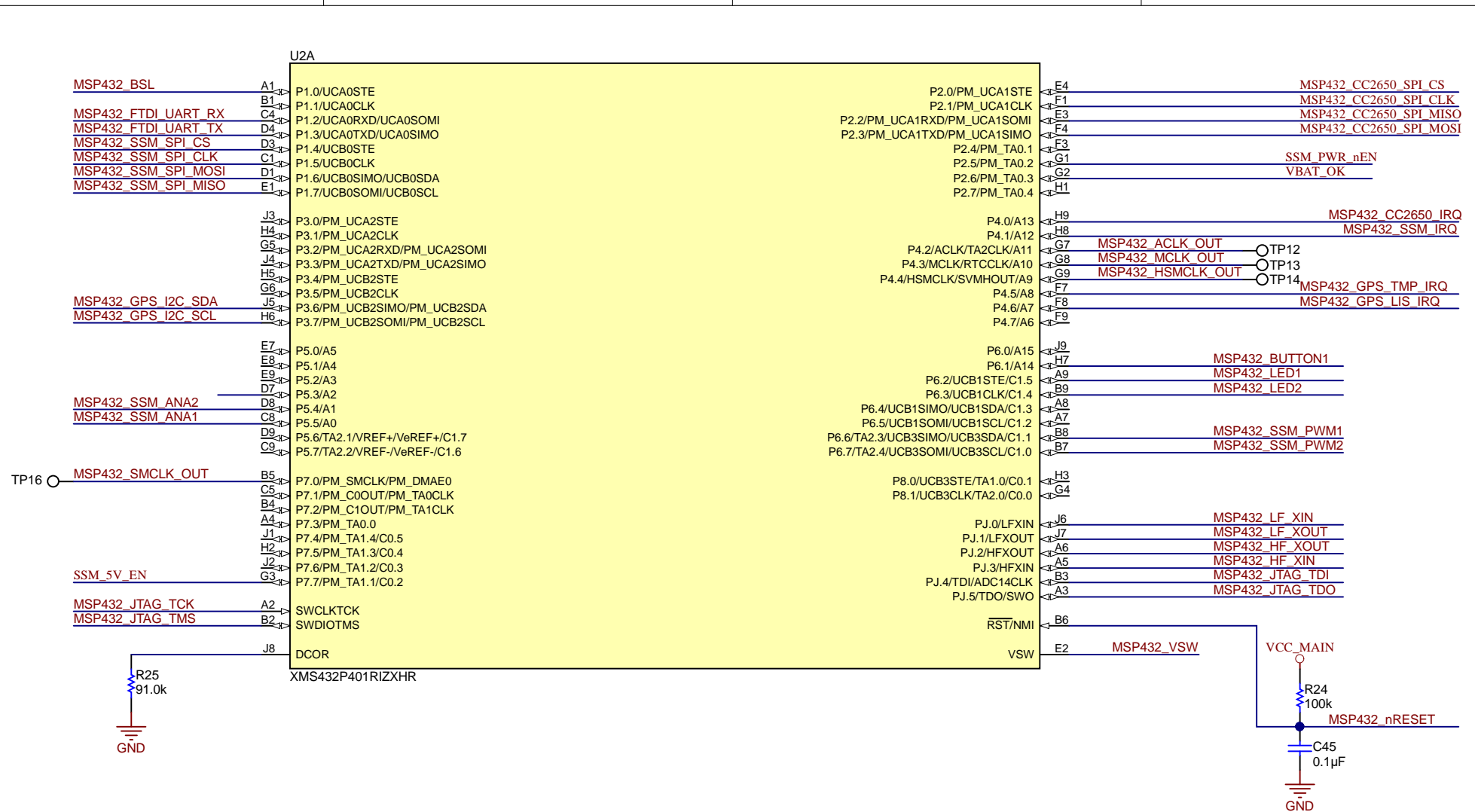


Orderable: EVM_orderable	Designed for: PRJ_Customer	Mod. Date: 13/10/2016
TID #: TID	Project Title: PRJ_Title	
Number: PRJ_Number	Rev: SCH	Sheet Title:
SVN Rev: Version control disabled	Assembly Variant: [No Variations]	Sheet: 1 of 9
Drawn By:	File: I3Mote.SchDoc	Size: B
Engineer: PRJ_Engineer	Contact: TechSupport	

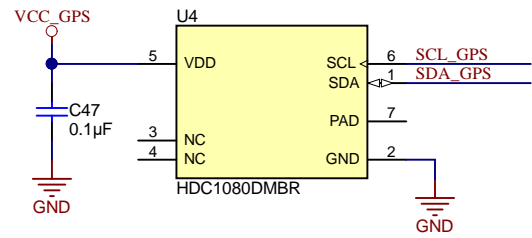
Texas Instruments and/or its licensors do not warrant the accuracy or completeness of this specification or any information contained therein. Texas Instruments and/or its licensors do not warrant that this design will meet the specifications, will be suitable for your application or fit for any particular purpose, or will operate in an implementation. Texas Instruments and/or its licensors do not warrant that the design is production worthy. You should completely validate and test your design implementation to confirm the system functionality for your application.



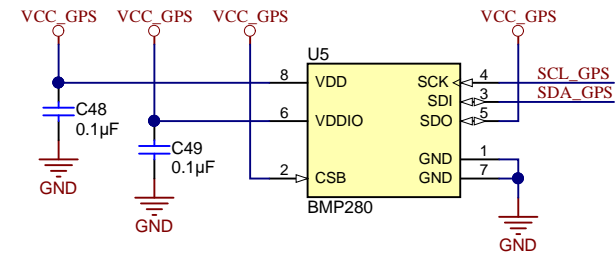
Orderable: EVM_orderable	Designed for: PRJ_Customer	Mod. Date: 06/09/2016
TID #: TID	Project Title: PRJ_Title	
Number: PRJ_Number	Rev: SCH	Sheet Title:
SVN Rev: Version control disabled	Assembly Variant: [No Variations]	Sheet: 2 of 9
Drawn By:	File: DataFusion.SchDoc	Size: B
Engineer: PRJ_Engineer	Contact: TechSupport	

Texas Instruments and/or its licensors do not warrant the accuracy or completeness of this specification or any information contained therein. Texas Instruments and/or its licensors do not warrant that this design will meet the specifications, will be suitable for your application or fit for any particular purpose, or will operate in an implementation. Texas Instruments and/or its licensors do not warrant that the design is production worthy. You should completely validate and test your design implementation to confirm the system functionality for your application.

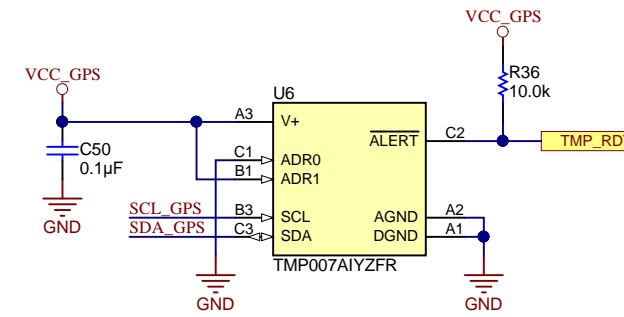
Humidity



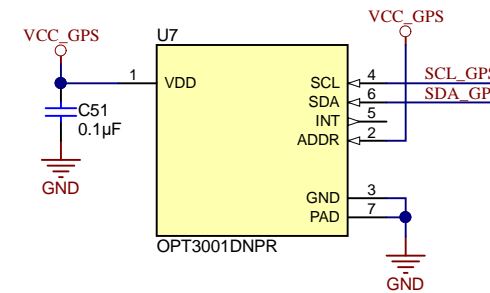
Pressure Sensor



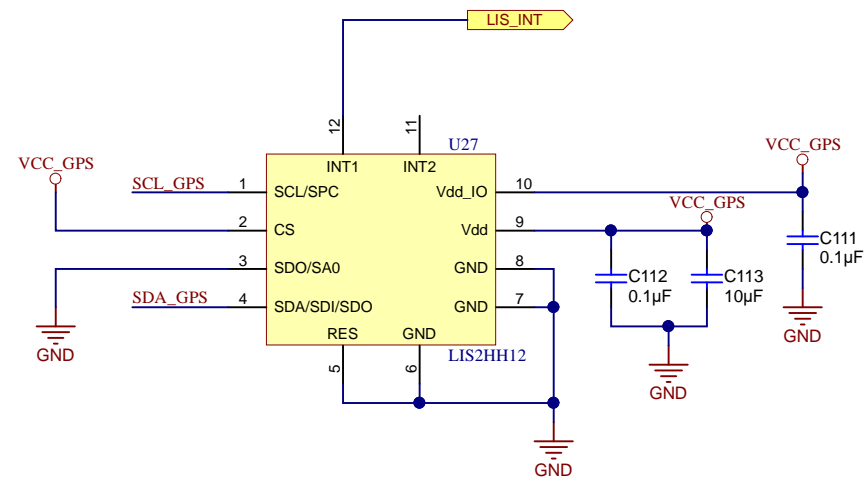
Infrared Thermopile Sensor



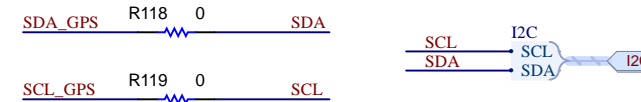
Light Sensor

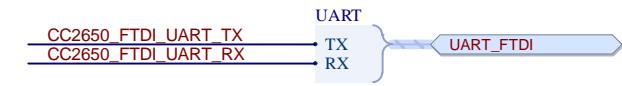
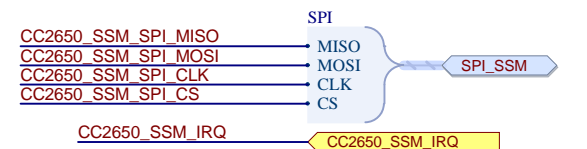
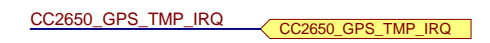
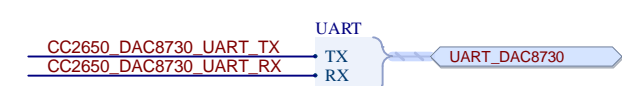
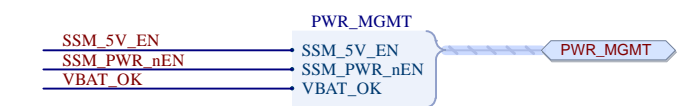
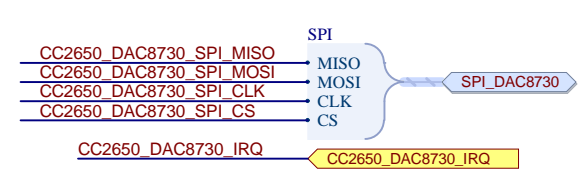
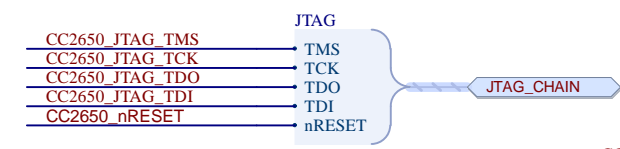
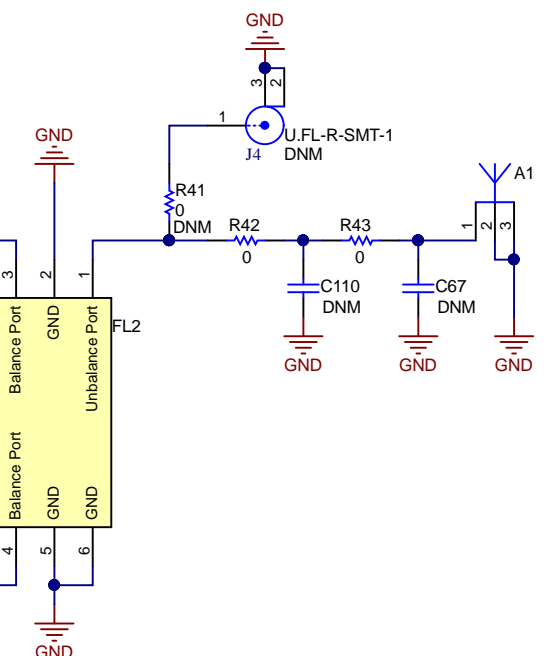
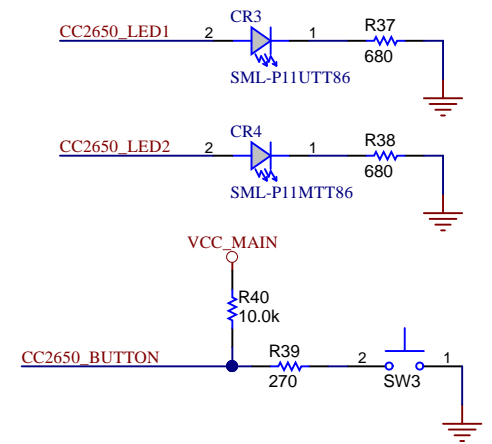
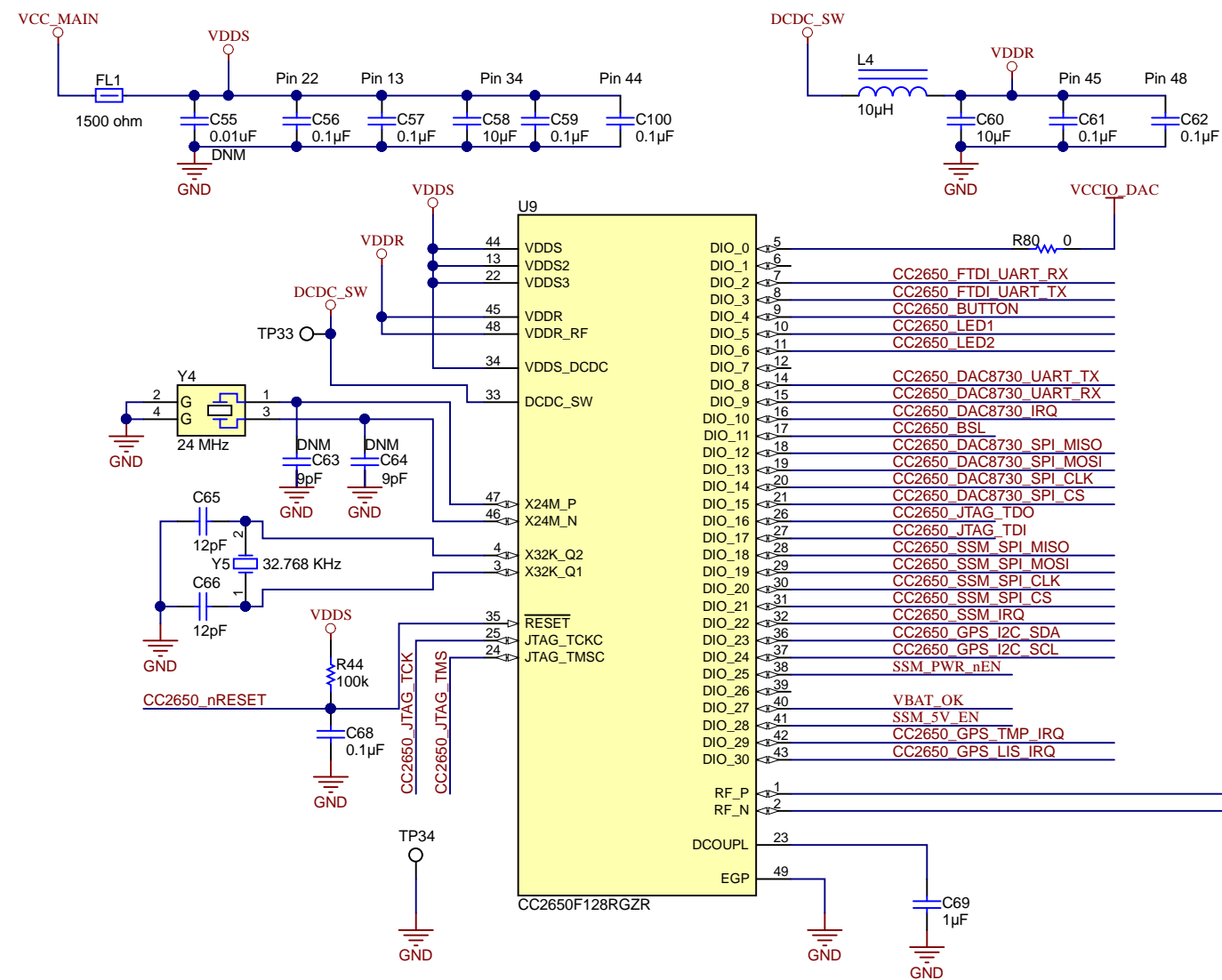


Accelerometer



I2C Isolation

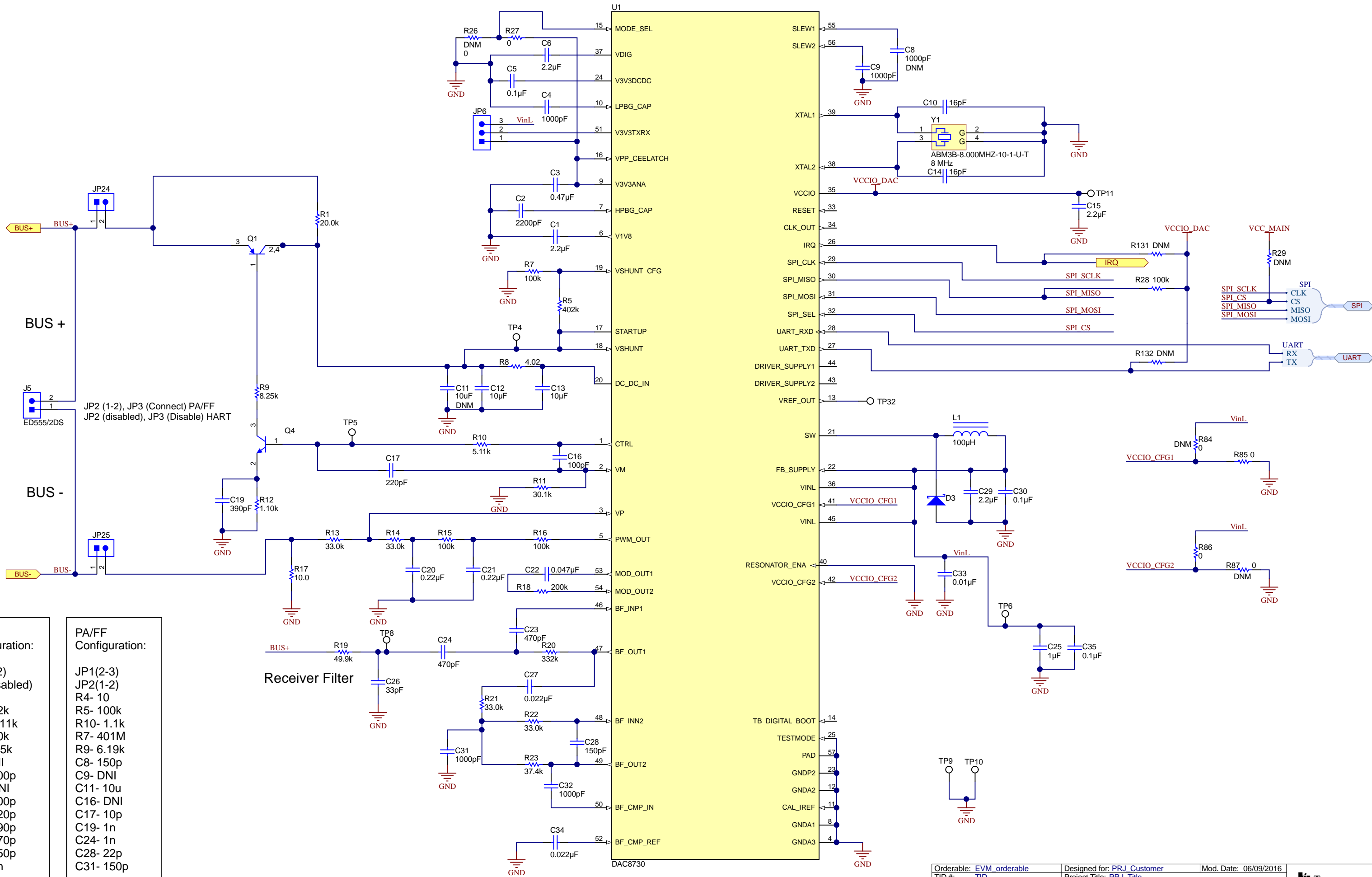




Orderable: EVM_orderable	Designed for: PRJ_Customer	Mod. Date: 07/09/2016
TID #: TID	Project Title: PRJ_Title	
Number: PRJ_Number	Rev: SCH	Sheet Title:
SVN Rev: Version control disabled	Assembly Variant: [No Variations]	Sheet: 4 of 9
Drawn By:	File: WirelessHart.SchDoc	Size: B
Engineer: PRJ_Engineer	Contact: TechSupport	

Texas Instruments and/or its licensors do not warrant the accuracy or completeness of this specification or any information contained therein. Texas Instruments and/or its licensors do not warrant that this design will meet the specifications, will be suitable for your application or fit for any particular purpose, or will operate in an implementation. Texas Instruments and/or its licensors do not warrant that the design is production worthy. You should completely validate and test your design implementation to confirm the system functionality for your application.





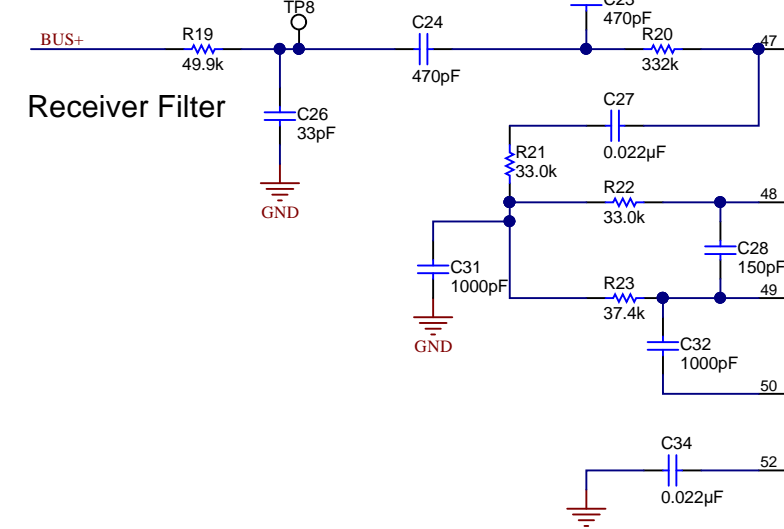
HART Configuration:

- JP1(1-2)
- JP2(disabled)
- R4- 0
- R5- 402k
- R7- 100k
- R9- 8.25k
- C8- DNI
- C9- 1000p
- C11- DNI
- C16- 100p
- C17- 220p
- C19- 390p
- C24- 470p
- C28- 150p
- C31- 1n

PA/FF Configuration:

- JP1(2-3)
- JP2(1-2)
- R4- 10
- R5- 100k
- R10- 1.1k
- R7- 401M
- R9- 6.19k
- C8- 150p
- C9- DNI
- C11- 10u
- C16- DNI
- C17- 10p
- C19- 1n
- C24- 1n
- C28- 22p
- C31- 150p

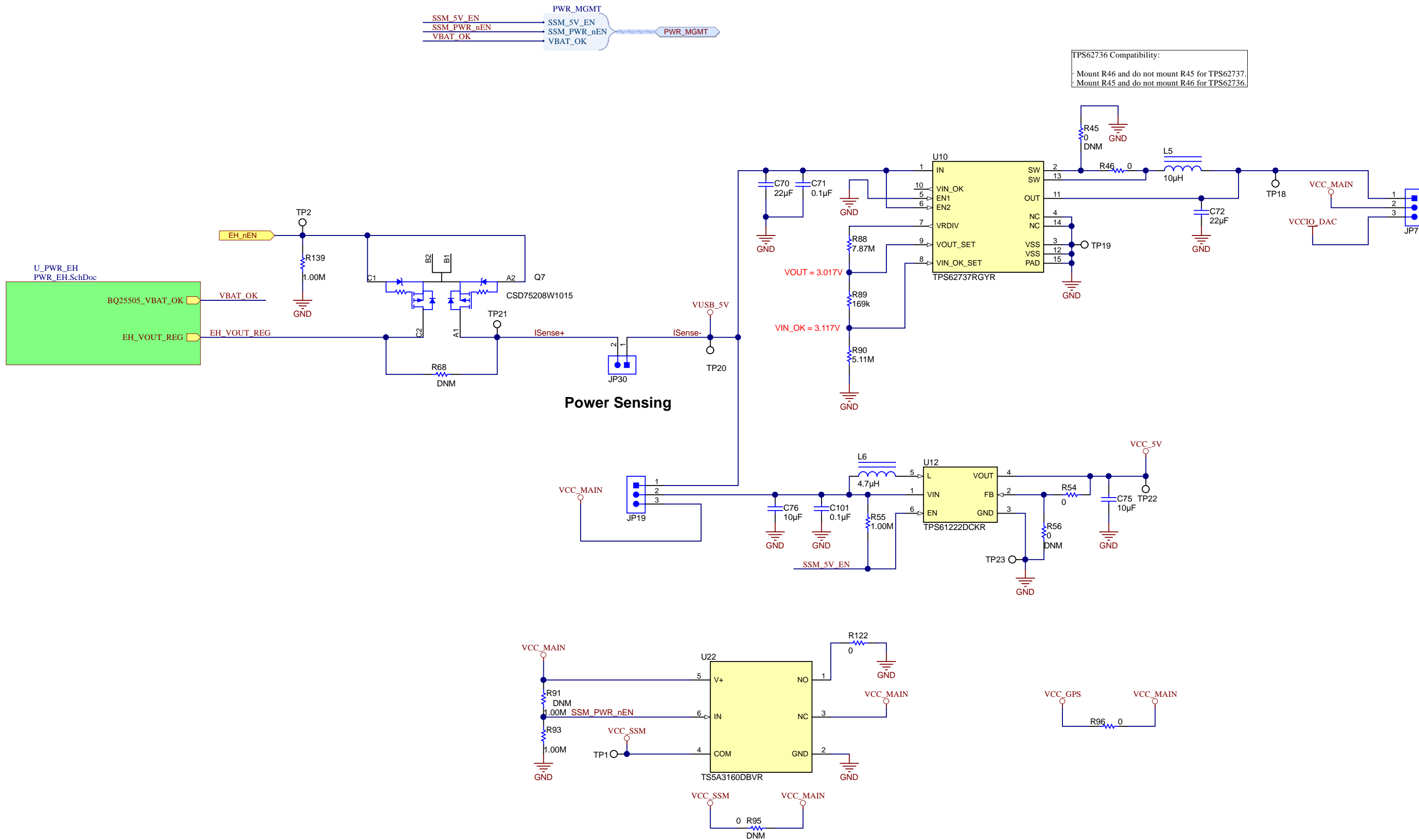
Receiver Filter



Orderable: EVM_orderable	Designed for: PRJ_Customer	Mod. Date: 06/09/2016
TID #: TID	Project Title: PRJ_Title	
Number: PRJ_Number	Rev: SCH	Sheet Title:
SVN Rev: Version control disabled	Assembly Variant: [No Variations]	Sheet: 5 of 9
Drawn By:	File: Hart.SchDoc	Size: B
Engineer: PRJ_Engineer	Contact: TechSupport	

Texas Instruments and/or its licensors do not warrant the accuracy or completeness of this specification or any information contained therein. Texas Instruments and/or its licensors do not warrant that this design will meet the specifications, will be suitable for your application or fit for any particular purpose, or will operate in an implementation. Texas Instruments and/or its licensors do not warrant that the design is production worthy. You should completely validate and test your design implementation to confirm the system functionality for your application.





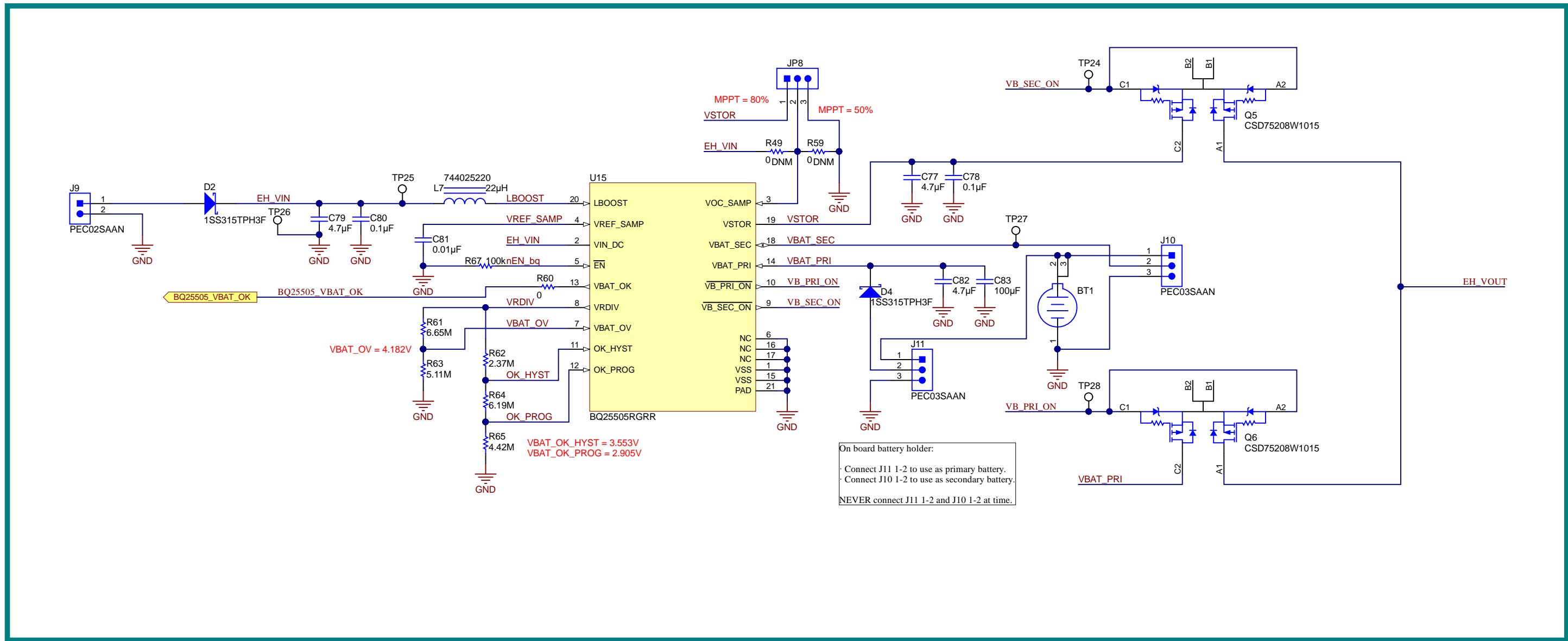
TPS62736 Compatibility:
 · Mount R46 and do not mount R45 for TPS62737.
 · Mount R45 and do not mount R46 for TPS62736.

Power Sensing

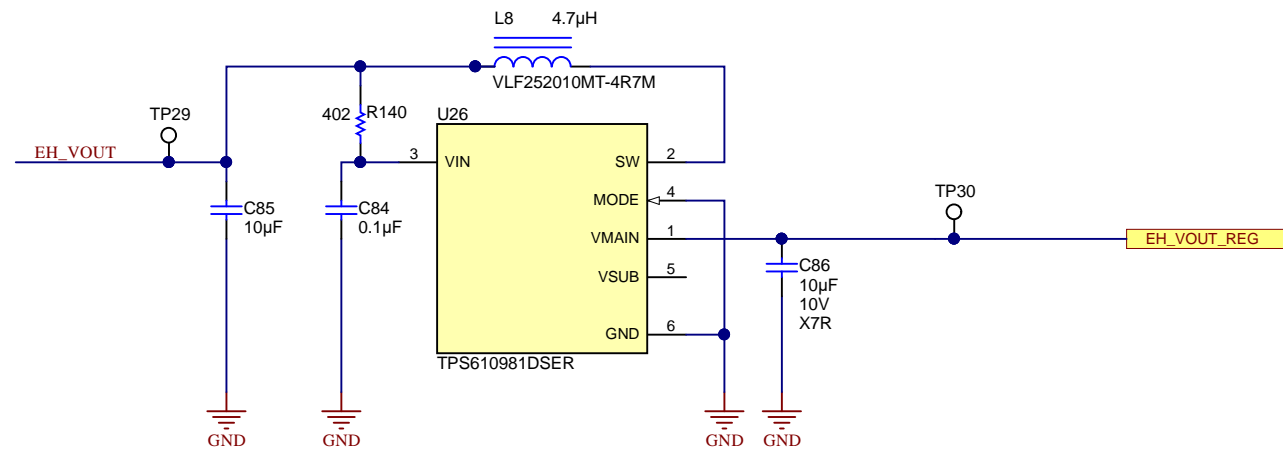
Orderable: EVM_orderable	Designed for: PRJ_Customer	Mod. Date: 09/10/2016
TID #: TID	Project Title: PRJ_Title	
Number: PRJ_Number	Rev: SCH	Sheet Title:
SVN Rev: Version control disabled	Assembly Variant: [No Variations]	Sheet: 6 of 9
Drawn By:	File: PowerManagement.SchDoc	Size: B
Engineer: PRJ_Engineer	Contact: TechSupport	

Texas Instruments and/or its licensors do not warrant the accuracy or completeness of this specification or any information contained therein. Texas Instruments and/or its licensors do not warrant that this design will meet the specifications, will be suitable for your application or fit for any particular purpose, or will operate in an implementation. Texas Instruments and/or its licensors do not warrant that the design is production worthy. You should completely validate and test your design implementation to confirm the system functionality for your application.





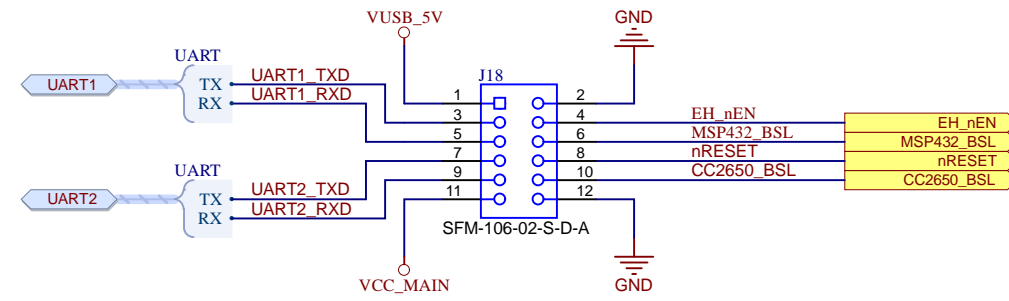
Boost DC-DC to 3.3V / By-pass



Orderable: EVM_orderable	Designed for: PRJ_Customer	Mod. Date: 06/09/2016
TID #: TID	Project Title: PRJ_Title	
Number: PRJ_Number	Rev: SCH	Sheet Title:
SVN Rev: Version control disabled	Assembly Variant: [No Variations]	Sheet: 7 of 9
Drawn By:	File: PWR_EH.SchDoc	Size: B
Engineer: PRJ_Engineer	Contact: TechSupport	

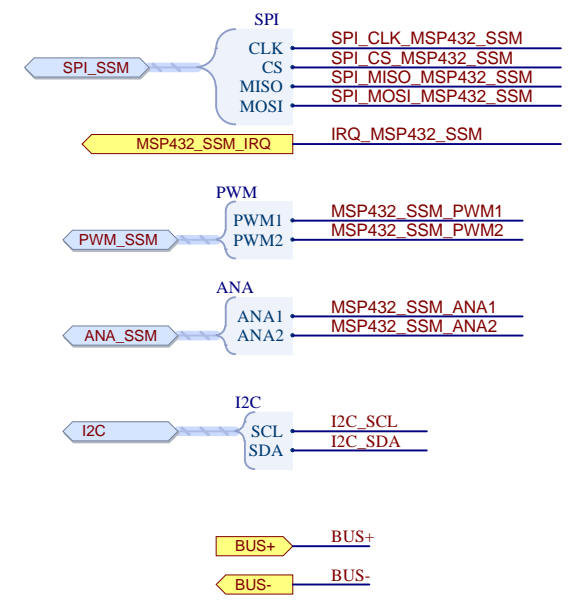
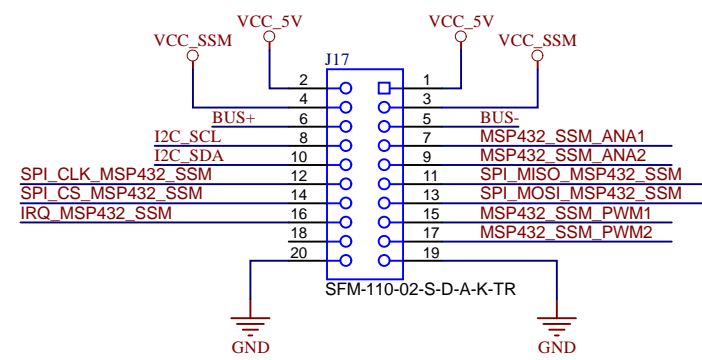
Texas Instruments and/or its licensors do not warrant the accuracy or completeness of this specification or any information contained therein. Texas Instruments and/or its licensors do not warrant that this design will meet the specifications, will be suitable for your application or fit for any particular purpose, or will operate in an implementation. Texas Instruments and/or its licensors do not warrant that the design is production worthy. You should completely validate and test your design implementation to confirm the system functionality for your application.

Debug Board



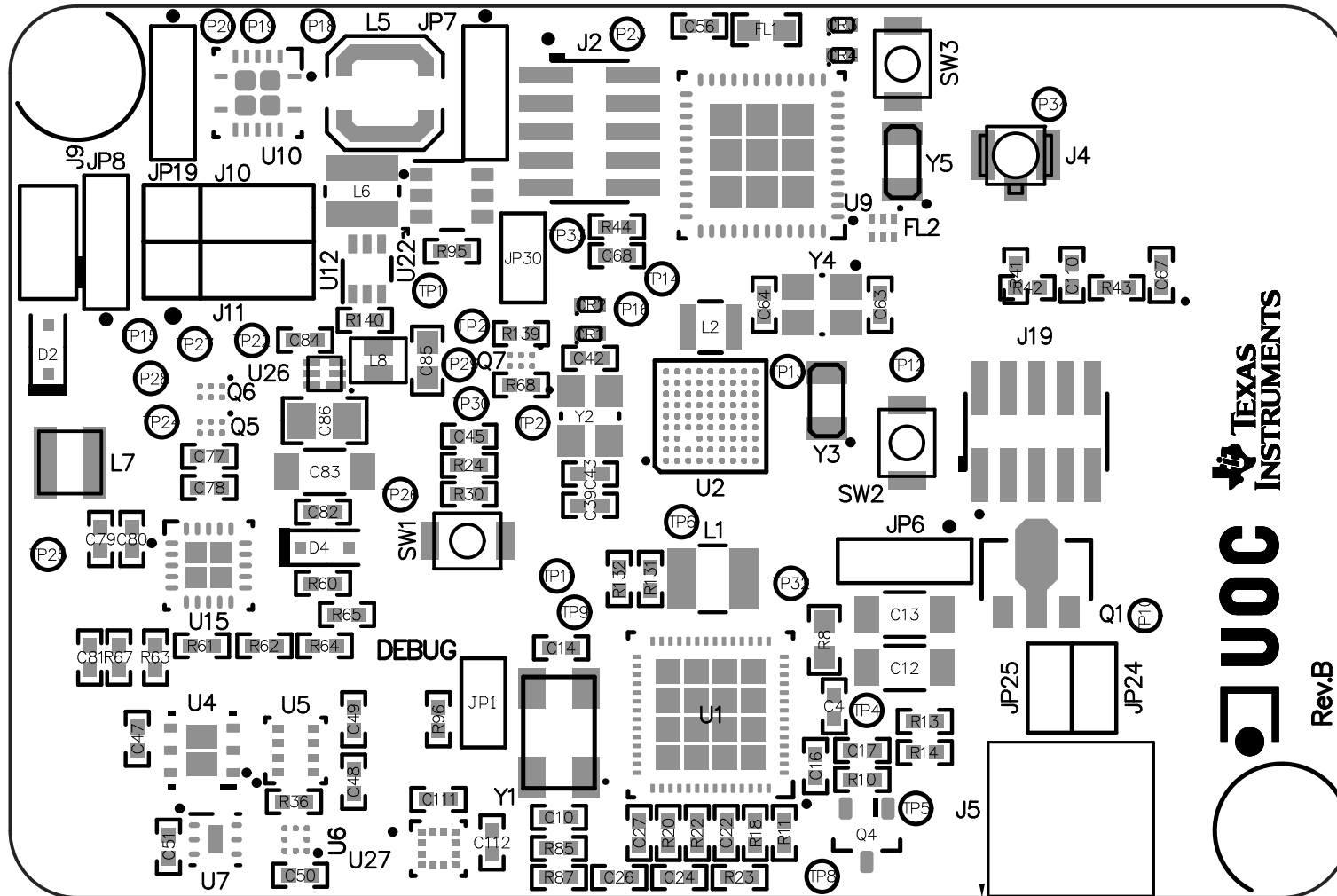
Texas Instruments and/or its licensors do not warrant the accuracy or completeness of this specification or any information contained therein. Texas Instruments and/or its licensors do not warrant that this design will meet the specifications, will be suitable for your application or fit for any particular purpose, or will operate in an implementation. Texas Instruments and/or its licensors do not warrant that the design is production worthy. You should completely validate and test your design implementation to confirm the system functionality for your application.

Orderable: EVM_orderable	Designed for: PRJ_Customer	Mod. Date: 06/09/2016
TID #: TID	Project Title: PRJ_Title	
Number: PRJ_Number	Rev: SCH	Sheet Title:
SVN Rev: Version control disabled	Assembly Variant: [No Variations]	Sheet: 8 of 9
Drawn By:	File: DEBUG_USB.SchDoc	Size: B
Engineer: PRJ_Engineer	Contact: TechSupport	



Texas Instruments and/or its licensors do not warrant the accuracy or completeness of this specification or any information contained therein. Texas Instruments and/or its licensors do not warrant that this design will meet the specifications, will be suitable for your application or fit for any particular purpose, or will operate in an implementation. Texas Instruments and/or its licensors do not warrant that the design is production worthy. You should completely validate and test your design implementation to confirm the system functionality for your application.

Orderable: EVM_orderable	Designed for: PRJ_Customer	Mod. Date: 06/09/2016
TID #: TID	Project Title: PRJ_Title	
Number: PRJ_Number	Rev: SCH	Sheet Title:
SVN Rev: Version control disabled	Assembly Variant: [No Variations]	Sheet: 9 of 9
Drawn By:	File: SmartSensorIF.SchDoc	Size: B
Engineer: PRJ_Engineer	Contact: TechSupport	



TEXAS
INSTRUMENTS

UOC

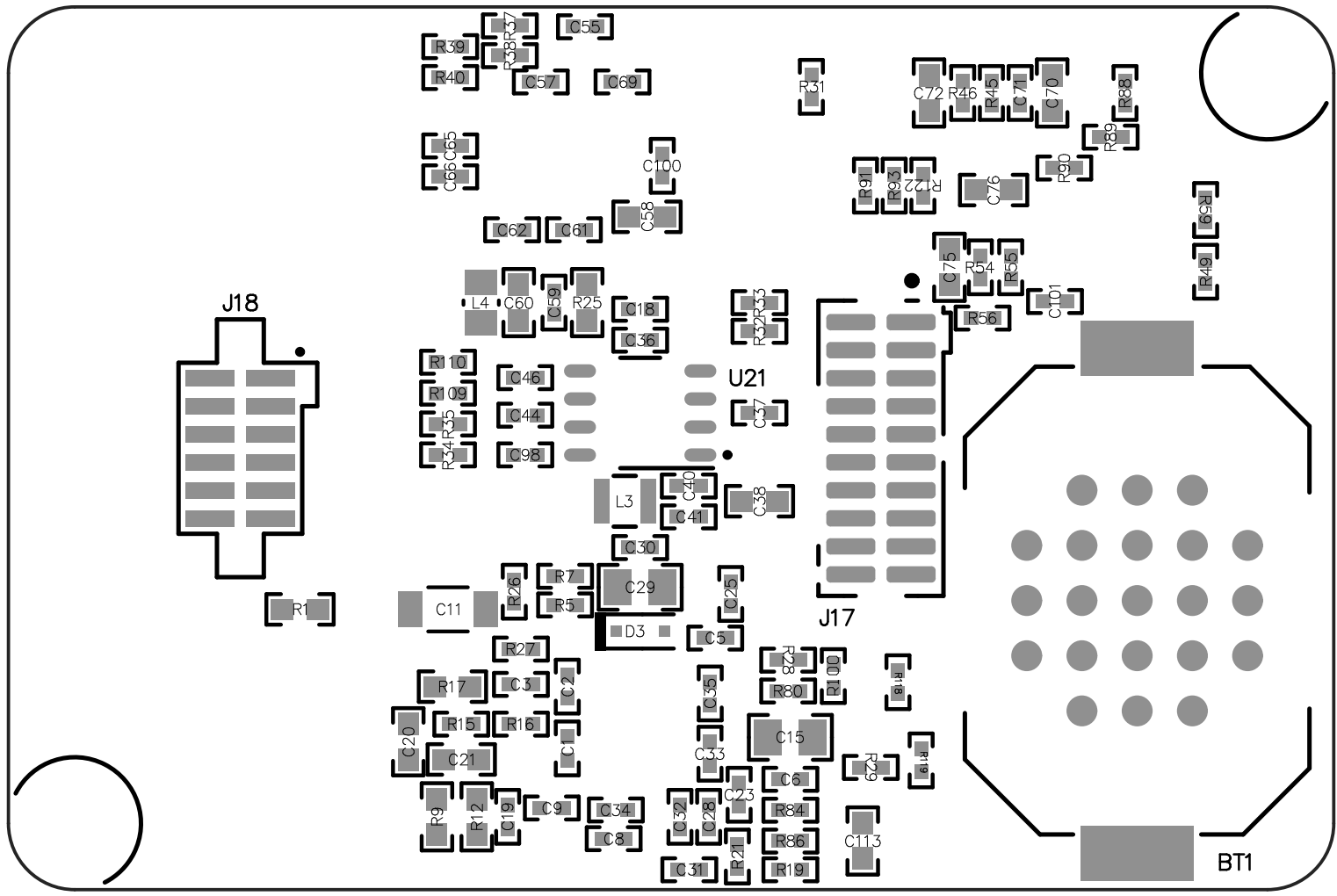
Rev.B

07/OCT/2016

GTPS
GTSK

UOC
I3Mote Tiny Rev.B

06
Cu LYS



I3Mote Tiny Rev.B
 Cu Lys 0R
 07\OCT\2019
 GBK2 GBK