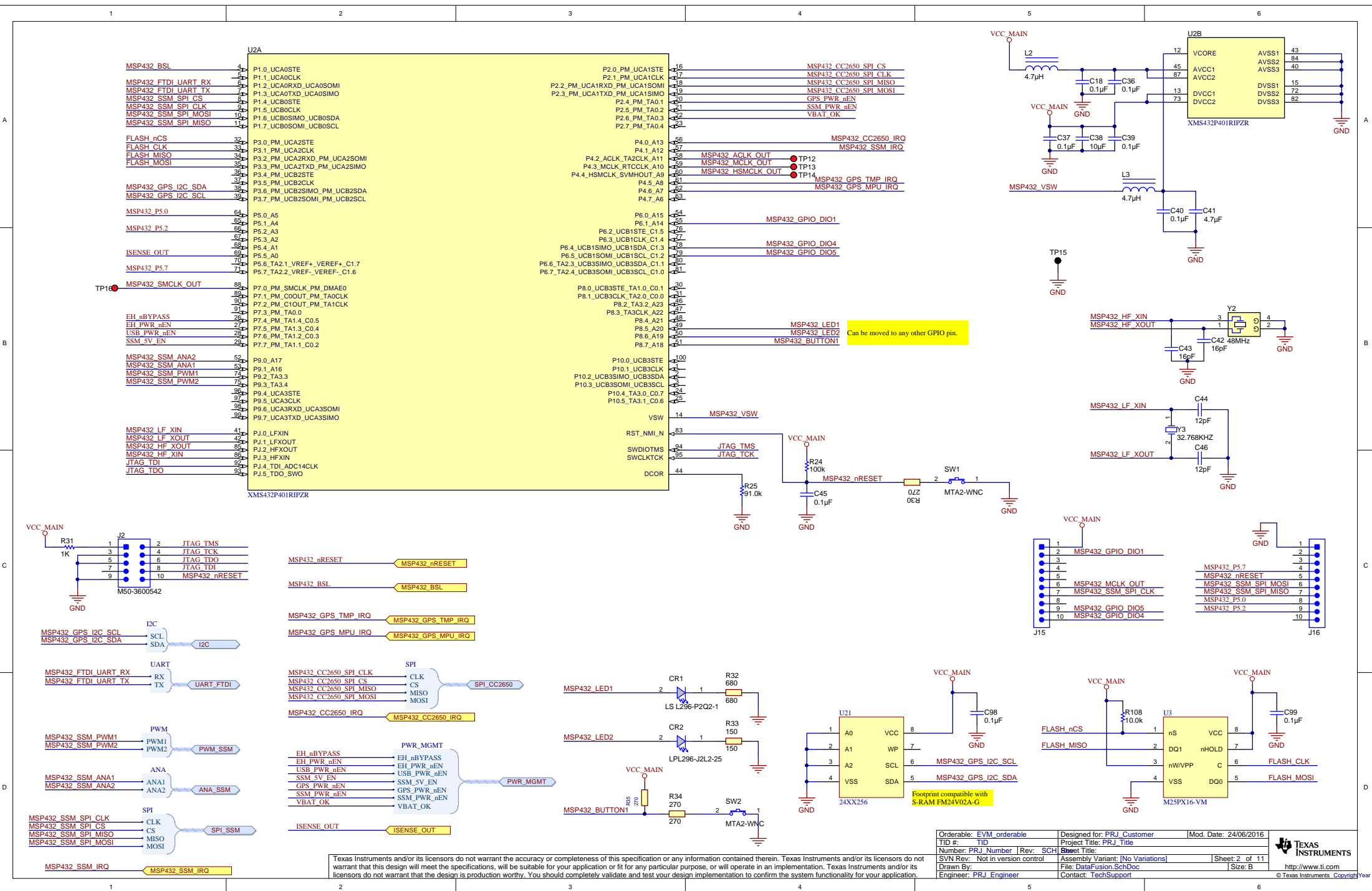


Texas Instruments and/or its licensors do not warrant the accuracy or completeness of this specification or any information contained therein. Texas Instruments and/or its licensors do not warrant that this design will meet the specifications, will be suitable for your application or fit for any particular purpose, or will operate in an implementation. Texas Instruments and/or its licensors do not warrant that the design is production worthy. You should completely validate and test your design implementation to confirm the system functionality for your application.

Orderable: EVM orderable	Designed for: PRJ Customer	Mod. Date: 24/06/2016
TID #: TID	Project Title: PRJ Title	
Number: PRJ Number	Rev: SCH	Sheet Title:
SVN Rev: Not in version control	Assembly Variant: [No Variations]	Sheet: 1 of 11
Drawn By:	File: ISMote.SchDoc	Size: B
Engineer: PRJ_Engineer	Contact: TechSupport	

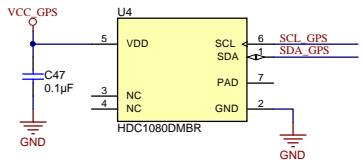


Texas Instruments and/or its licensors do not warrant the accuracy or completeness of this specification or any information contained therein. Texas Instruments and/or its licensors do not warrant that this design will meet the specifications, will be suitable for your application or fit for any particular purpose, or will operate in an implementation. Texas Instruments and/or its licensors do not warrant that the design is production worthy. You should completely validate and test your design implementation to confirm the system functionality for your application.

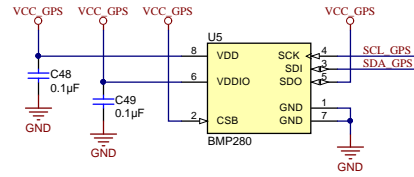
Orderable: EVM orderable	Designed for: PRJ Customer	Mod. Date: 24/06/2016
TID #: TID	Project Title: PRJ Title	
Number: PRJ Number Rev: SCH	Sheet Title:	
SVN Rev: Not in version control	Assembly Variant: [No Variations]	Sheet 2 of 11
Drawn By:	File: DataFusion.SchDoc	Size: B
Engineer: PRJ_Engineer	Contact: TechSupport	



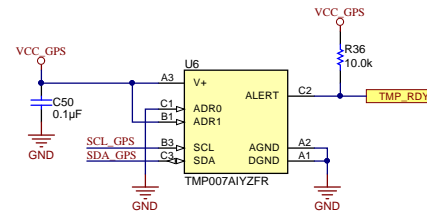
Humidity



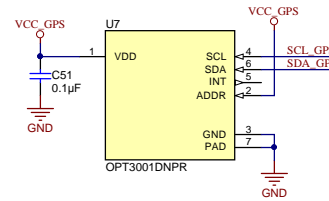
Pressure Sensor



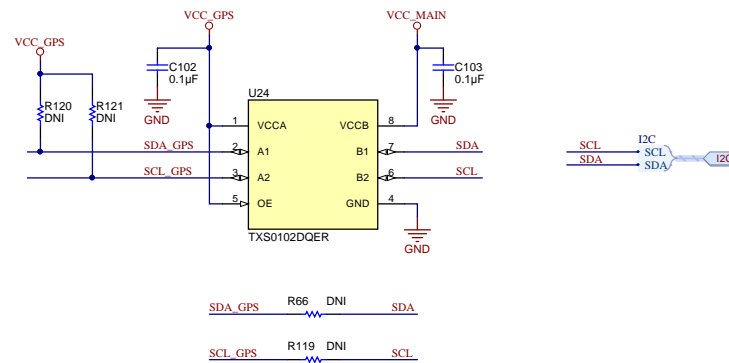
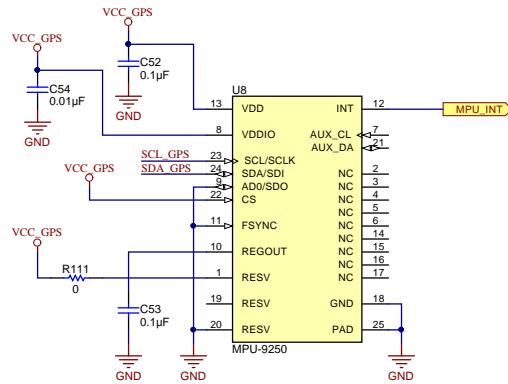
Infrared Thermopile Sensor



Light Sensor

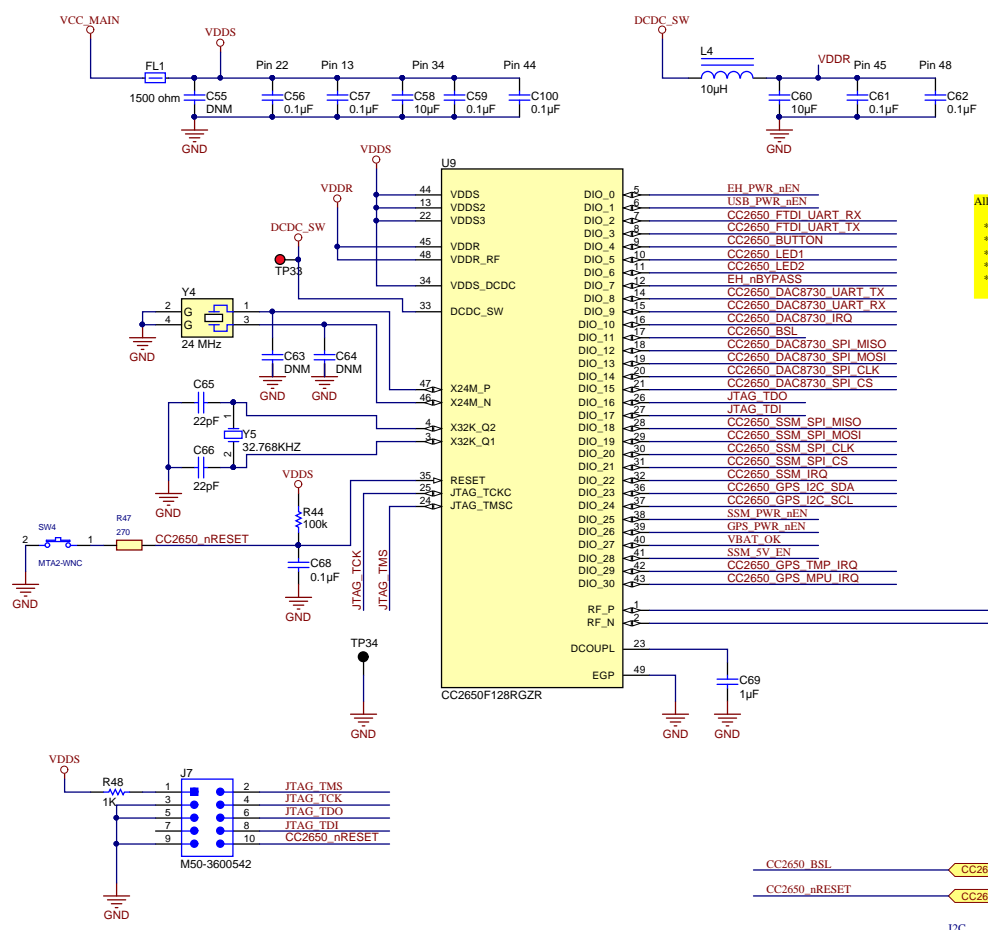


Gyroscope and accelerometer



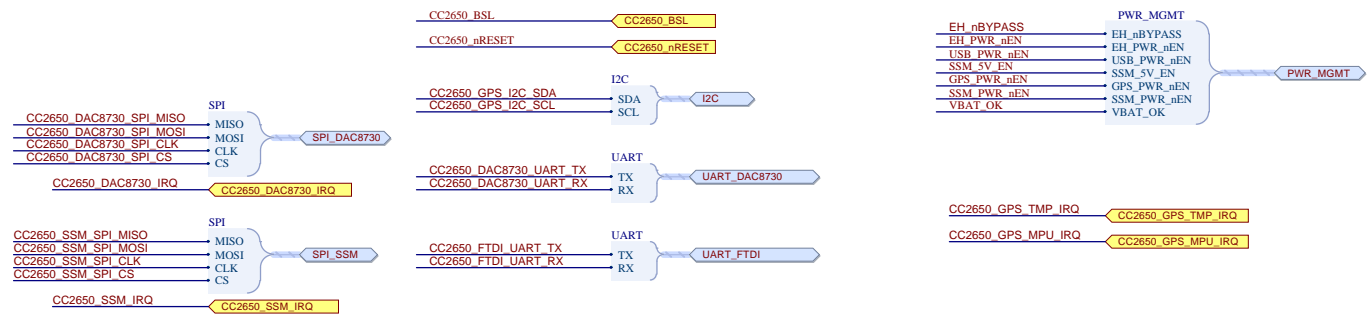
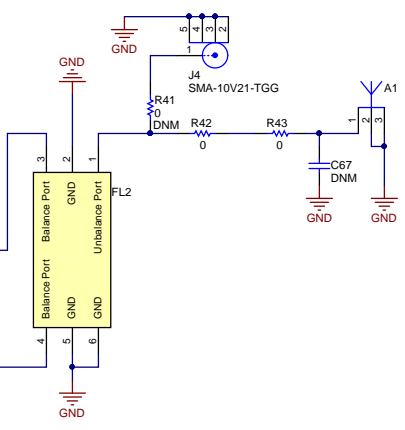
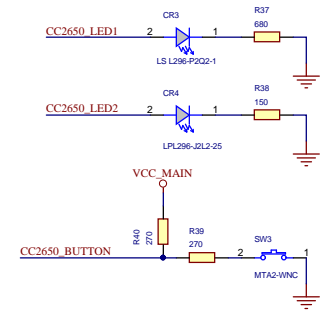
Texas Instruments and/or its licensors do not warrant the accuracy or completeness of this specification or any information contained therein. Texas Instruments and/or its licensors do not warrant that this design will meet the specifications, will be suitable for your application or fit for any particular purpose, or will operate in an implementation. Texas Instruments and/or its licensors do not warrant that the design is production worthy. You should completely validate and test your design implementation to confirm the system functionality for your application.

Orderable: EVM orderable	Designed for: PRJ Customer	Mod. Date: 24/06/2016
TID #: TID	Project Title: PRJ Title	
Number: PRJ Number	Rev: SCH	Sheet Title:
SVN Rev: Not in version control	Assembly Variant: [No Variations]	Sheet: 3 of 11
Drawn By:	File: Sensors.SchDoc	Size: B
Engineer: PRJ_Engineer	Contact: TechSupport	



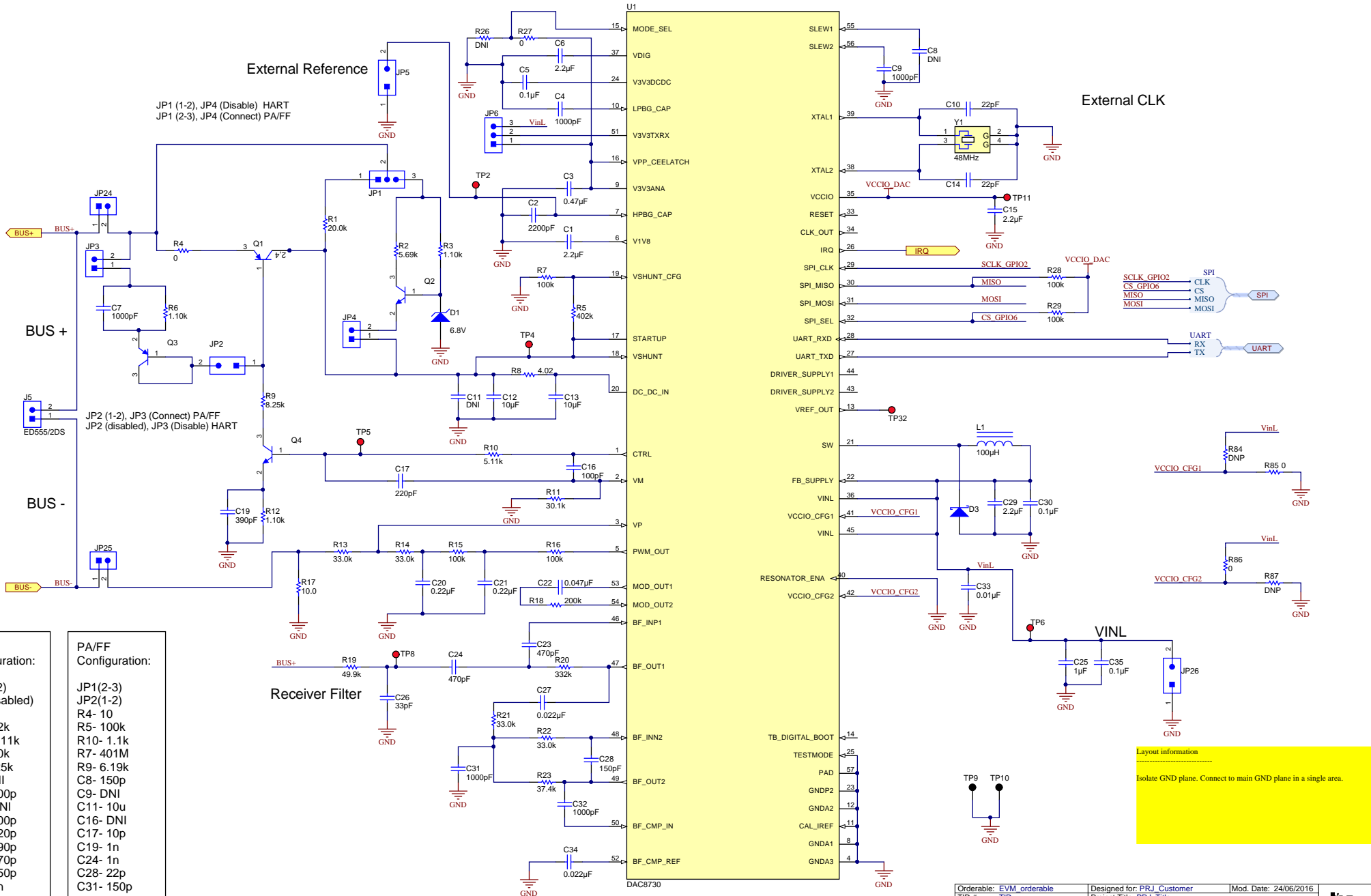
All DIO pins can be swapped, except:

- * DIO_2 (CC2650_FTDI_UART_RX)
- * DIO_3 (CC2650_FTDI_UART_TX)
- * DIO_11 (CC2650_BSL)
- * DIO_16 (JTAG_TDO)
- * DIO_17 (JTAG_TDI)



Texas Instruments and/or its licensors do not warrant the accuracy or completeness of this specification or any information contained therein. Texas Instruments and/or its licensors do not warrant that this design will meet the specifications, will be suitable for your application or fit for any particular purpose, or will operate in an implementation. Texas Instruments and/or its licensors do not warrant that the design is production worthy. You should completely validate and test your design implementation to confirm the system functionality for your application.

Orderable: EVM orderable	Designed for: PRJ Customer	Mod. Date: 24/06/2016
TID #: TID	Project Title: PRJ Title	
Number: PRJ Number	Rev: SCH	Sheet Title:
SVN Rev: Not in version control	Assembly Variant: [No Variations]	Sheet: 4 of 11
Drawn By:	File: WirelessHart_SchDoc	Size: B
Engineer: PRJ_Engineer	Contact: TechSupport	



- | HART Configuration: | PA/FF Configuration: |
|---------------------|----------------------|
| JP1(1-2) | JP1(2-3) |
| JP2(disabled) | JP2(1-2) |
| R4- 0 | R4- 10 |
| R5- 402k | R5- 100k |
| R10- 5.11k | R10- 1.1k |
| R7- 100k | R7- 401M |
| R9- 8.25k | R9- 6.19k |
| C8- DNI | C8- 150p |
| C9- 1000p | C9- DNI |
| C11- DNI | C11- 10u |
| C16- 100p | C16- DNI |
| C17- 220p | C17- 10p |
| C19- 390p | C19- 1n |
| C24- 470p | C24- 1n |
| C28- 150p | C28- 22p |
| C31- 1n | C31- 150p |

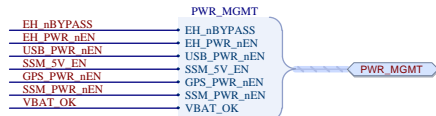
Layout information

Isolate GND plane. Connect to main GND plane in a single area.

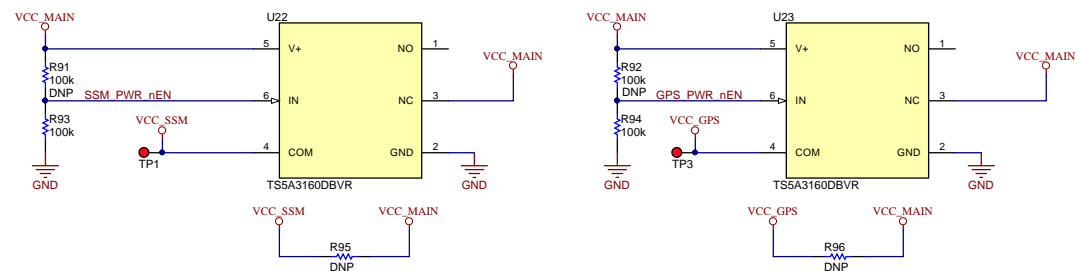
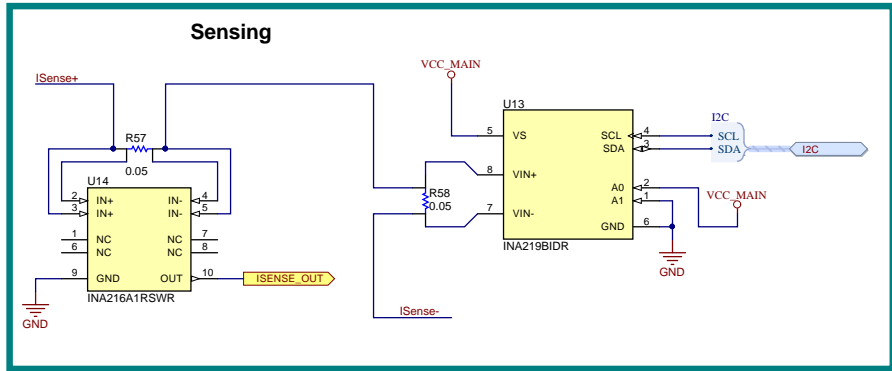
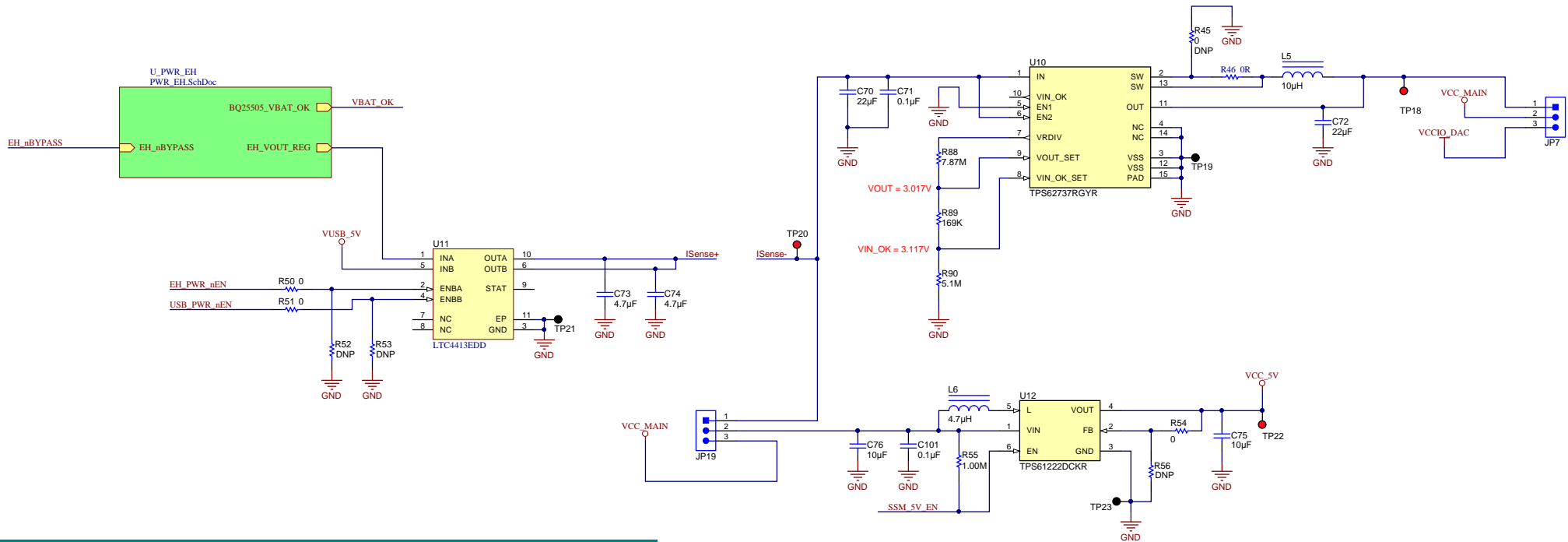
Texas Instruments and/or its licensors do not warrant the accuracy or completeness of this specification or any information contained therein. Texas Instruments and/or its licensors do not warrant that this design will meet the specifications, will be suitable for your application or fit for any particular purpose, or will operate in an implementation. Texas Instruments and/or its licensors do not warrant that the design is production worthy. You should completely validate and test your design implementation to confirm the system functionality for your application.

Orderable: EVM orderable	Designed for: PRJ Customer	Mod. Date: 24/06/2016
TID #: TID	Project Title: PRJ Title	
Number: PRJ Number	Rev: SCH	Sheet Title:
SVN Rev: Not in version control	Assembly Variant: [No Variations]	Sheet: 5 of 11
Drawn By:	File: Hart_SchDoc	Size: B
Engineer: PRJ_Engineer	Contact: TechSupport	



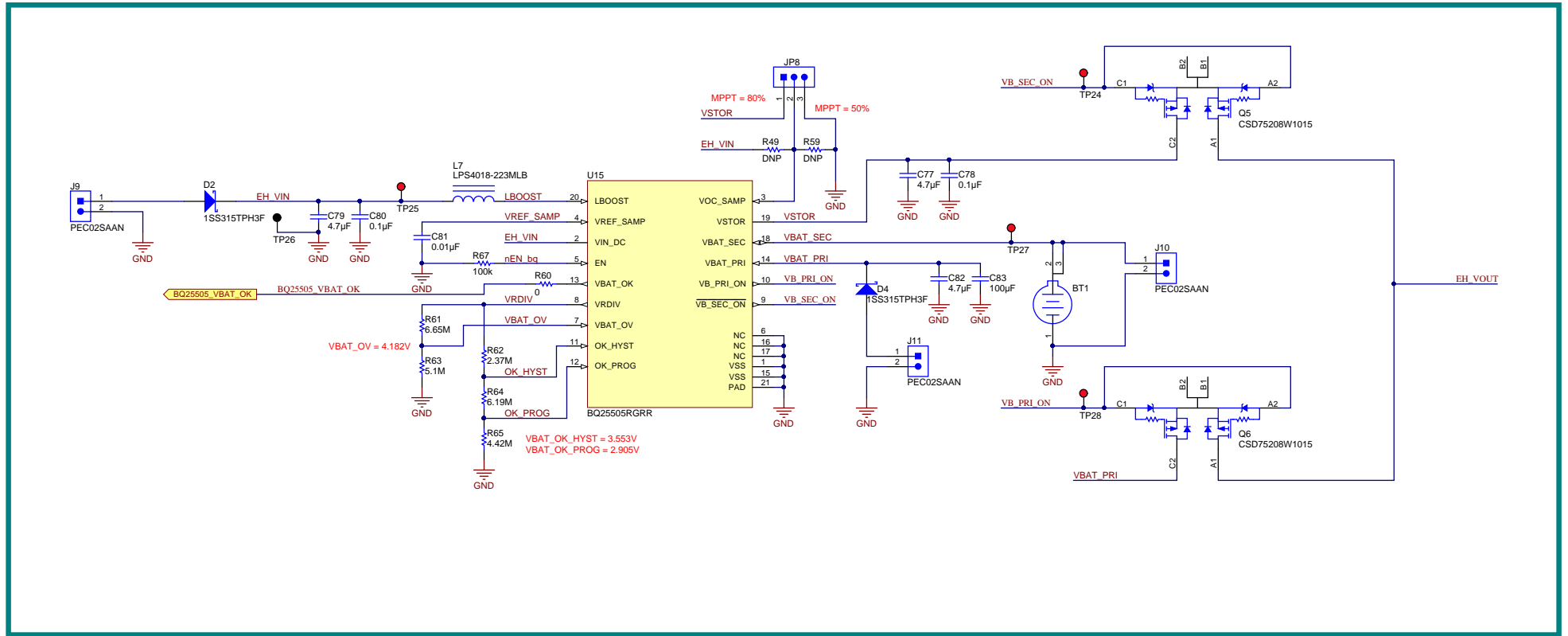


TPS62736 Compatibility
 Mount R46 and do not mount R45 for TPS62737.
 Mount R45 and do not mount R46 for TPS62736.

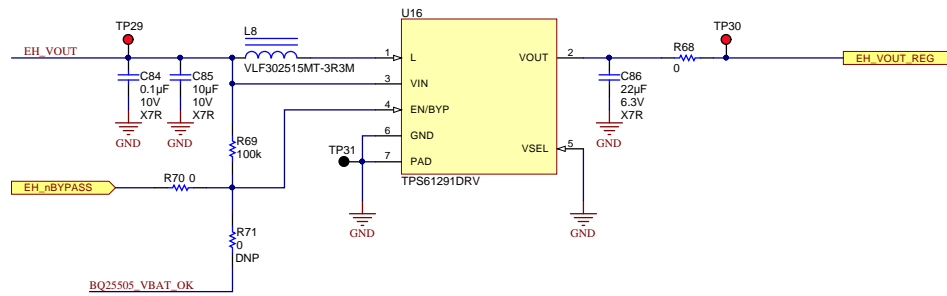


Texas Instruments and/or its licensors do not warrant the accuracy or completeness of this specification or any information contained therein. Texas Instruments and/or its licensors do not warrant that this design will meet the specifications, will be suitable for your application or fit for any particular purpose, or will operate in an implementation. Texas Instruments and/or its licensors do not warrant that the design is production worthy. You should completely validate and test your design implementation to confirm the system functionality for your application.

Orderable: EVM orderable	Designed for: PRJ Customer	Mod. Date: 24/06/2016
TID #: TID	Project Title: PRJ Title	
Number: PRJ Number	Rev: SCH	Sheet Title:
SVN Rev: Not in version control	Assembly Variant: [No Variations]	Sheet: 6 of 11
Drawn By:	File: PowerManagement_SchDoc	Size: B
Engineer: PRJ_Engineer	Contact: TechSupport	

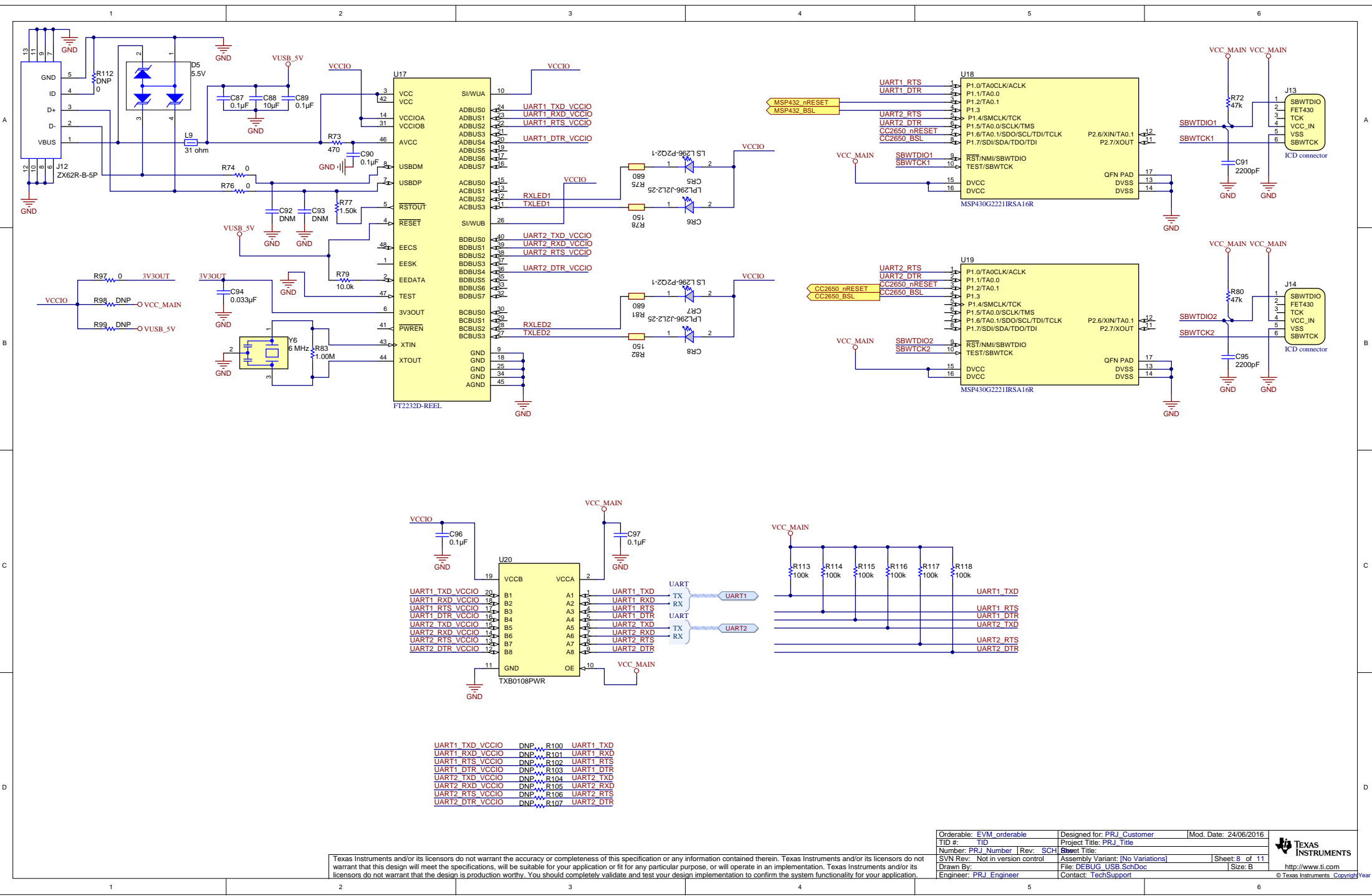


Boost DC-DC to 3.3V / By-pass



Orderable: EVM orderable	Designed for: PRJ_Customer	Mod. Date: 24/06/2016
TID #: TID	Project Title: PRJ Title	
Number: PRJ Number	Rev: SCH	Sheet Title:
SVN Rev: Not in version control	Assembly Variant: [No Variations]	Sheet: 7 of 11
Drawn By:	File: PWR_EH_SchDoc	Size: B
Engineer: PRJ_Engineer	Contact: TechSupport	

Texas Instruments and/or its licensors do not warrant the accuracy or completeness of this specification or any information contained therein. Texas Instruments and/or its licensors do not warrant that this design will meet the specifications, will be suitable for your application or fit for any particular purpose, or will operate in an implementation. Texas Instruments and/or its licensors do not warrant that the design is production worthy. You should completely validate and test your design implementation to confirm the system functionality for your application.

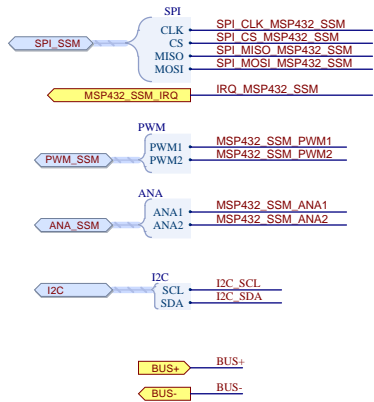
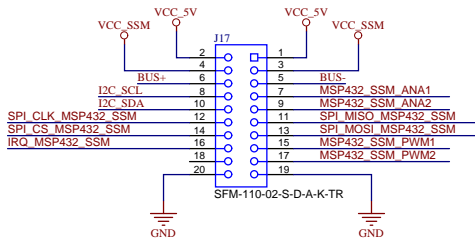


- UART1_TXD_VCCIO DNP R100 UART1_TXD
- UART1_RXD_VCCIO DNP R101 UART1_RXD
- UART1_RTS_VCCIO DNP R102 UART1_RTS
- UART1_DTR_VCCIO DNP R103 UART1_DTR
- UART2_TXD_VCCIO DNP R104 UART2_TXD
- UART2_RXD_VCCIO DNP R105 UART2_RXD
- UART2_RTS_VCCIO DNP R106 UART2_RTS
- UART2_DTR_VCCIO DNP R107 UART2_DTR

Orderable: EVM orderable	Designed for: PRJ Customer	Mod. Date: 24/06/2016
TID #: TID	Project Title: PRJ Title	
Number: PRJ Number	Rev: SCH	Sheet Title:
SVN Rev: Not in version control	Assembly Variant: [No Variations]	Sheet: 8 of 11
Drawn By:	File: DEBUG_USB.SchDoc	Size: B
Engineer: PRJ Engineer	Contact: TechSupport	

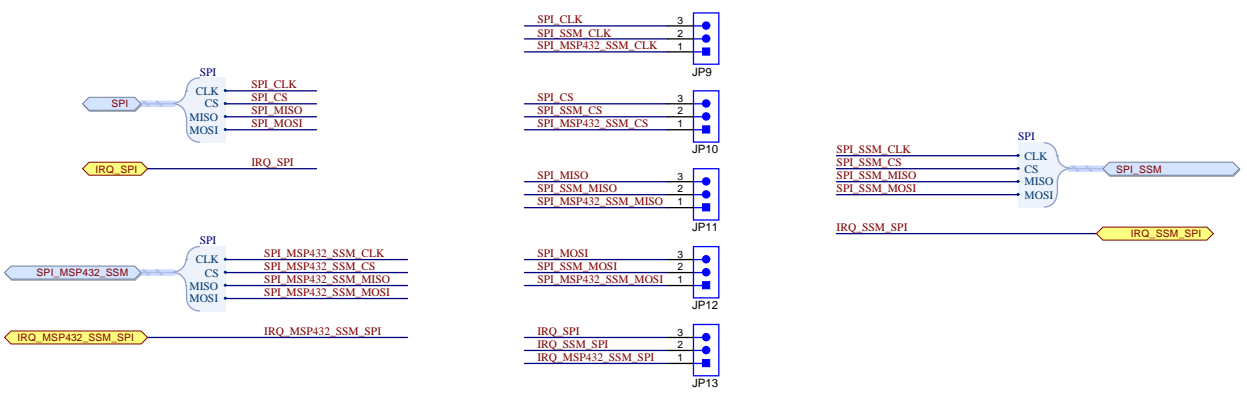
Texas Instruments and/or its licensors do not warrant the accuracy or completeness of this specification or any information contained therein. Texas Instruments and/or its licensors do not warrant that this design will meet the specifications, will be suitable for your application or fit for any particular purpose, or will operate in an implementation. Texas Instruments and/or its licensors do not warrant that the design is production worthy. You should completely validate and test your design implementation to confirm the system functionality for your application.





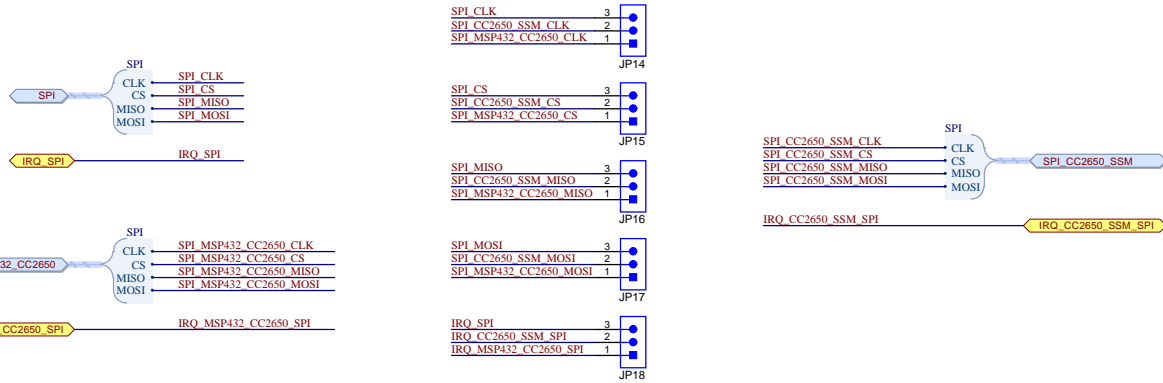
Texas Instruments and/or its licensors do not warrant the accuracy or completeness of this specification or any information contained therein. Texas Instruments and/or its licensors do not warrant that this design will meet the specifications, will be suitable for your application or fit for any particular purpose, or will operate in an implementation. Texas Instruments and/or its licensors do not warrant that the design is production worthy. You should completely validate and test your design implementation to confirm the system functionality for your application.

Orderable: EVM orderable	Designed for: PRJ Customer	Mod. Date: 24/06/2016
TID #: TID	Project Title: PRJ Title	
Number: PRJ Number	Rev: SCH	Sheet Title:
SVN Rev: Not in version control	Assembly Variant: [No Variations]	Sheet: 9 of 11
Drawn By:	File: SmartSensorIF_SchDoc	Size: B
Engineer: PRJ_Engineer	Contact: TechSupport	



Texas Instruments and/or its licensors do not warrant the accuracy or completeness of this specification or any information contained therein. Texas Instruments and/or its licensors do not warrant that this design will meet the specifications, will be suitable for your application or fit for any particular purpose, or will operate in an implementation. Texas Instruments and/or its licensors do not warrant that the design is production worthy. You should completely validate and test your design implementation to confirm the system functionality for your application.

Orderable: EVM orderable	Designed for: PRJ_Customer	Mod. Date: 24/06/2016
TID #: TID	Project Title: PRJ Title	
Number: PRJ Number	Rev: SCH	Sheet Title:
SVN Rev: Not in version control	Assembly Variant: [No Variations]	Sheet: 10 of 11
Drawn By:	File: SPI_Jumpers_A.SchDoc	Size: B
Engineer: PRJ_Engineer	Contact: TechSupport	



Texas Instruments and/or its licensors do not warrant the accuracy or completeness of this specification or any information contained therein. Texas Instruments and/or its licensors do not warrant that this design will meet the specifications, will be suitable for your application or fit for any particular purpose, or will operate in an implementation. Texas Instruments and/or its licensors do not warrant that the design is production worthy. You should completely validate and test your design implementation to confirm the system functionality for your application.

Orderable: EVM orderable	Designed for: PRJ_Customer	Mod. Date: 24/06/2016
TID #: TID	Project Title: PRJ Title	
Number: PRJ Number	Rev: SCH	Sheet Title:
SVN Rev: Not in version control	Assembly Variant: [No Variations]	Sheet: 11 of 11
Drawn By:	File: SPI_Jumpers_B.SchDoc	Size: B
Engineer: PRJ_Engineer	Contact: TechSupport	