

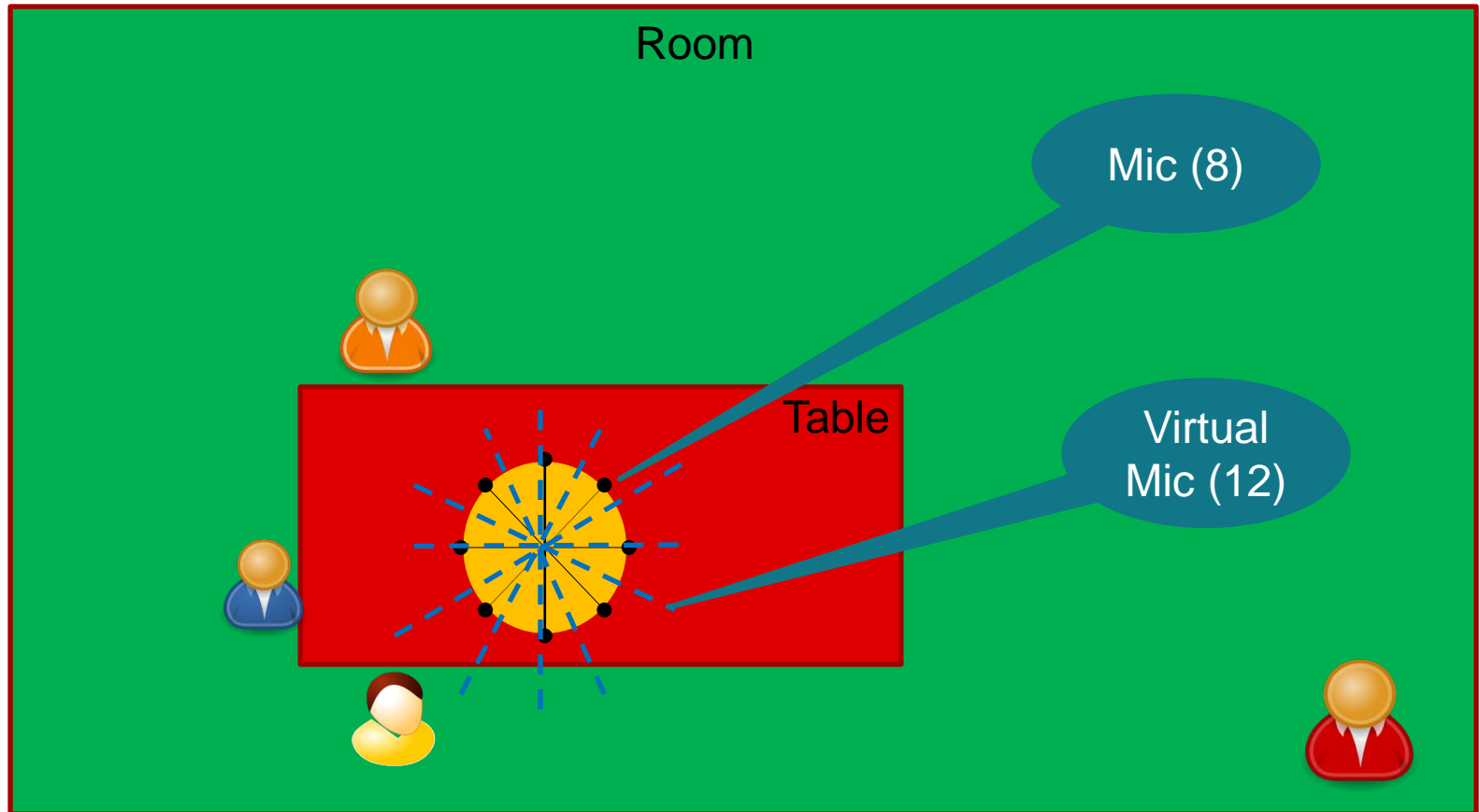
Demos of Noise Reduction for Voice Recognition

Ming Wei

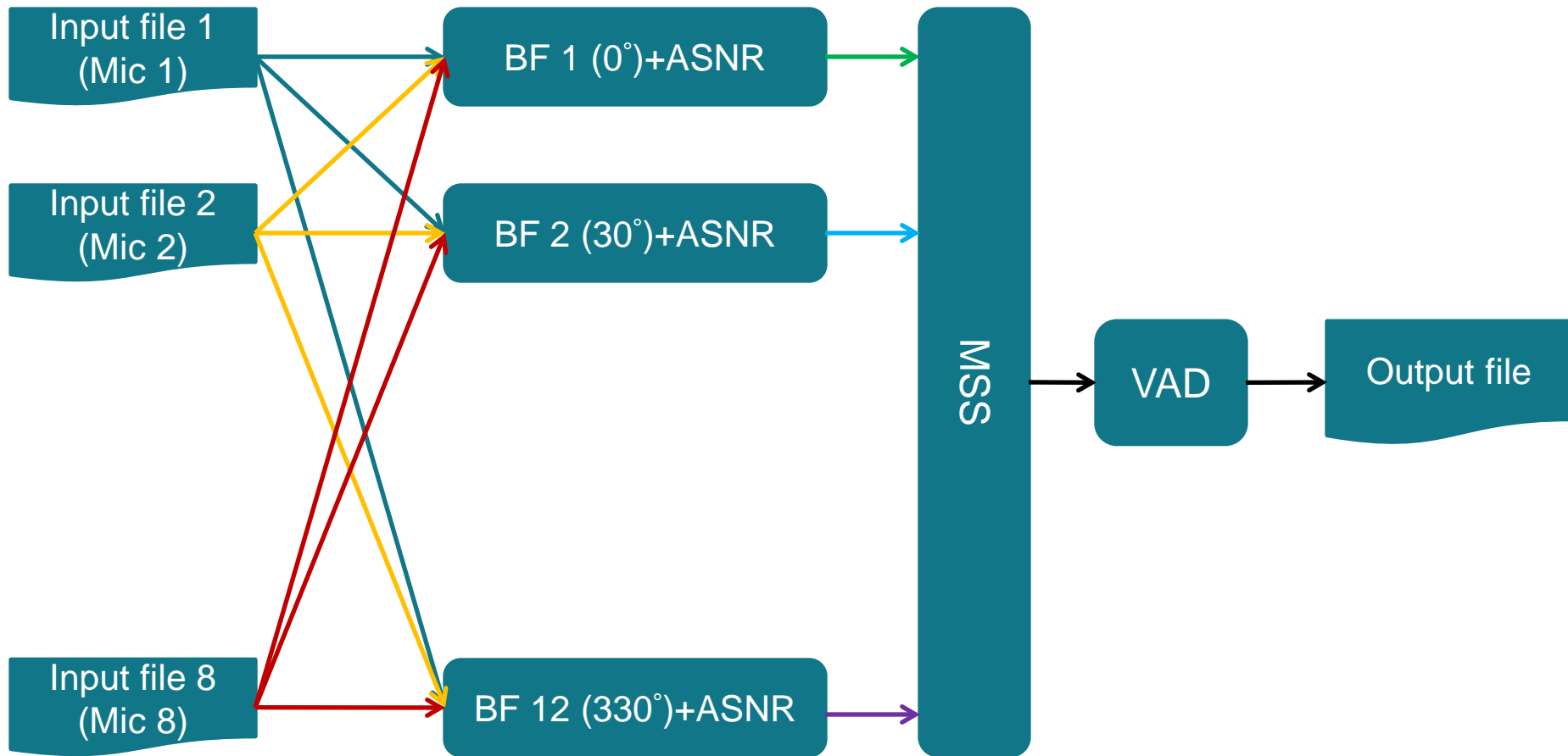
June 2016

TI Confidential – NDA Restrictions

Demo Based on Canned Audio Input Files (Room Simulation and Input Audio File Generation)

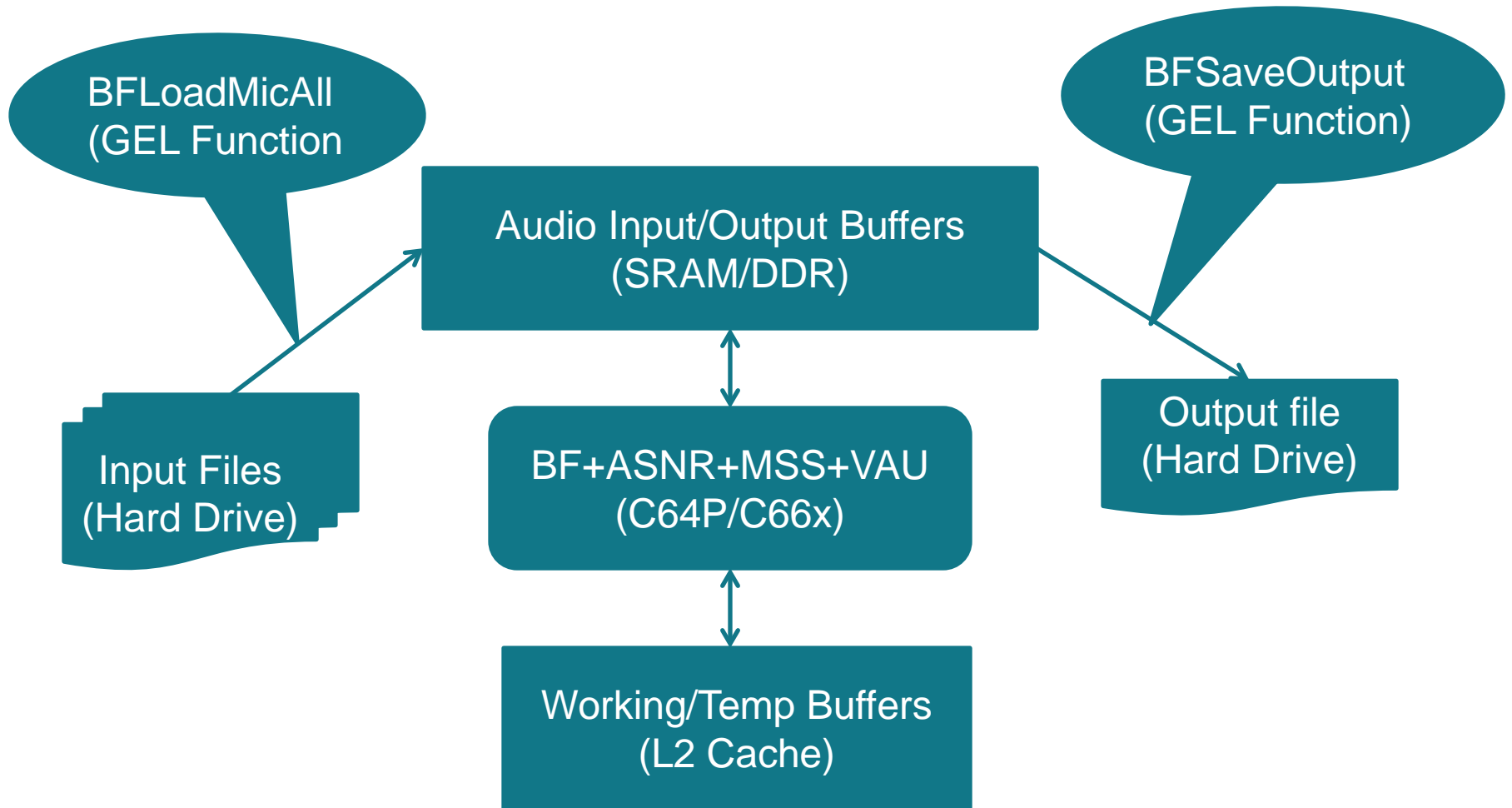


Demo Based on Canned Audio Input Files (Data Flow)



TI Confidential – NDA Restrictions

Demo Based on Canned Audio Input Files (Control Flow)



Demo Based on Canned Audio Input Files (Processing Steps) without SYS/BIOS

- Building Environment
 - CCS 6.1.3, CGT 8.1, XDCTools 3.24.07.73 and XDAIS 7.23.00.06
 - AER 17.0.0.0 (C64P)
 - VOLIB 2.1.0.1(C64P and C66x)
- Demo Platform
 - DA830 DSK and AM572x GP EVM
 - Blackhawk USB 560M JTAG emulator
- Run the Demo
 - Load the demo into RAM
 - Read 8 canned audio input files from hard drive into buffers in SRAM/DDR using GEL function
 - Execute the Demo
 - Generate 12 virtual mics using BF(Beamforming) (30° apart)
 - Apply ASNR(Adaptive Signal Noise Reduction) on each virtual mic
 - Use MSS(Multiple Source Selection)to select the best virtual mic from the 12 virtual mics
 - Do VAD(Voice Activity Detection) on the best virtual mic
 - Display the performance data
 - Write 1 processed audio channel from buffer in SRAM/DDR to hard drive using GEL function

Demo Based on Canned Audio Input Files (Processing Steps) with SYS/BIOS

- Building Environment
 - CCS 6.1.3, CGT 8.1, SYS/BIOS 6.45.1.29, XDCTools 3.32.0.6 and XDAIS 7.24.00.04
 - AER 17.0.0.0 (C64P)
 - VOLIB 2.1.0.1(C64P and C66x)
- Demo Platform
 - DA830 DSK and AM572x GP EVM
 - Blackhawk USB 560M JTAG emulator
- Run the Demo
 - Load the demo into RAM
 - Read 8 canned audio input files from hard drive into buffers in SRAM/DDR using GEL function
 - Execute the Demo
 - Generate 12 virtual mics using BF(Beamforming) (30° apart)
 - Apply ASNR(Adaptive Signal Noise Reduction) on each virtual mic
 - Use MSS(Multiple Source Selection)to select the best virtual mic from the 12 virtual mics
 - Do VAD(Voice Activity Detection) on the best virtual mic
 - Display the performance data
 - Write 1 processed audio channel from buffer in SRAM/DDR to hard drive using GEL function

Demo Based on Canned Audio Input Files (Result Analysis)

- Compare the input files with the output file to see the ASNR effectiveness
- Compare the room setup and input file generation settings with MSS selection decision to check for the BF and MSS effectiveness
- Use profiling data to show the MIPS needed for each component

Demo Based on Canned Audio Input Files (Performance)

- Configurable for 8 (45° apart) or 12 (30° apart) Virtual Mics
- 16Khz Sampling Rate, 16 Bit Per Sample
- MIPS Required on AM572x GP EVM:
 - 39MIPS (8 Virtual Mics)
 - 58MIPS (12 Virtual Mics)
- MIPS Required on DA830 DSK:
 - 40MIPS (8 Virtual Mics)
 - 60MIPS (12 Virtual Mics)